

# TEAC®

## SERVICE MANUAL

---

# CTM5950S

59 CM CTV

---

## SPECIFICATION

SUPPLY VOLTAGE : AC220V 50Hz  $\geq +10\%$  /  $-20\%$

SYSTEM :	PAL - I/I	PAL - BG	PAL - I (UK)	PAL - SECAM - BG / DK	PAL - SECAM - BG / DK (HYPER)	PAL - BG (HYPER)	PAL - BG (CATV)	SECAM - L	L'	
CHANNEL L - VHF : H - VHF : UHF :	4 - 13 21 - 69	2 - 4 5 - 12 21 - 69	21 - 69	1 - 5 6 - 12 21 - 69	1 - 5 6 - 12 21 - 69	E2 - S10 E5 - S41 E21 - E69	E2 - S2 E5 - S20 E21 - E69	1 - Q 21 - 69	FB - FC	CH CH CH
VIF FREQUENCY :	38.9	38.9	39.5	38.0	38.9	38.9	38.9	38.9	32.7	MHz
SIF FREQUENCY :	32.9	33.4	33.5	31.5 32.5	32.4 33.4	33.4	33.4	32.4	39.2	MHz
CHROMA IF FREQUENCY :	34.47	34.47	35.07	33.57 33.57	34.47 34.47	34.47	34.47	34.47		MHz
INTER-CARRIER FREQUENCY :	6.0	5.5	6	6.5 5.5	5.5 6.5	5.5	5.5	6.5	6.5	MHz
SCANNING HORIZONTAL : VERTICAL :	15625 LINE 50 Hz									
ANTENNA INPUT IMPEDANCE :	75 OHM									
CRT :	25" 29"									

<u>ITEMS OF MEASUREMENT</u>	<u>STANDARD</u>	<u>UNIT</u>
VIDEO SENS. AT S/N 30db L - VHF	$\leq 57$	dbuv
H - VHF	$\leq 57$	dbuv
UHF	$\leq 60$	dbuv
SOUND SENS. AT S/N 30db L - VHF	$\leq 42$	dbuv
H - VHF	$\leq 42$	dbuv
UHF	$\leq 48$	dbuv
AGC CHARACTER	$\geq 60$	db
SELECTIVITY -1.5 MHz	$\geq 35$	db
+ 8 MHz	$\geq 40$	db
COLOR SENS.	$\leq 45$	dbuv
COLOR LOCK - IN RANGE	$\geq \pm 300$	Hz
VERTICAL LOCK - IN RANGE	$\geq 6$	Hz
HORIZONTAL LOCK - IN RANGE	$\geq 400$	Hz
MAX BRIGHTNESS	$\geq 100$	cd/m <sup>2</sup>
MAX OUTPUT POWER	$\geq 4.5$	W
OUTPUT POWER AT 10% THD	$\geq 3.5$	W
BUZZ	$\leq -40$	db
AFC RANGE	$\geq +1$	MHz
	$\geq -0.5$	MHz
MIN. VOL HUM	$\leq 20$	mV
RESOLUTION HORIZONTAL	$\geq 300$	LINES
VERTICAL	$\geq 400$	LINES
LINEARITY DISTORTION VERTICAL	$\leq 10$	%
HORIZONTAL	$\leq 10$	%
RASTER DISTORTION	$\leq 5$	%
REMOTE CONTROL DISTANCE	$\geq 5$	METER
ANGLE	$\geq \pm 15$	DEGREE
POWER CONSUMPTION ( AT NORMAL CONDITION )	$\leq 120$	WATTS
POWER CONSUMPTION ( AT MAX. CONDITION )	$\leq 150$	WATTS
CONVERGENCE DISLOCATION AT AREA "A"	$\leq 0.4$	%
AREA "B"	$\leq 0.8$	%
( see fig.1 )		

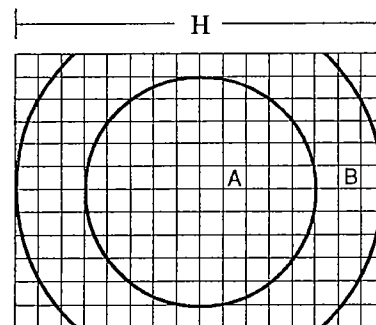


Fig.1

VIDEO INPUT LEVEL : 1.0V P-P  $\pm$  3dB  
 AUDIO INPUT LEVEL : 0.5V RMS  $\pm$  3dB

# ALIGNMENT INSTRUCTION

## II PLEASE READ BEFORE ATTEMPTING SERVICE

1. Never disconnect any leads while receiver is in operation.
2. Disconnect all power before attempting any repairs.
3. Do not short any portion of the circuit while power is on.
4. For safety reasons, all parts replaced should be identical, (for parts and part numbers see parts list).
5. Before alignment the set must be pre-heated for 30 minutes or more and erase magnetism thoroughly from CRT front chassis frame by erase coil. (Except IF, SYNC, COLOR, SECAM, B+, SOUND)

## III TEST EQUIPMENT

- |   |   |
|---|---|
| 1. Colour Bar, Dot, Cross Hatch Generator | 6. High Voltage Meter                   |
| 2. DC Power Supply                        | 7. Ampere Meter (0.5 Class, DC 3mA Max) |
| 3. Oscilloscope                           | 8. Demagnetizing Coil                   |
| 4. Vacuum Tube Voltmeter                  | 9. Philips Pattern Generator            |
| 5. Volt Ohmmeter                          | 10. High Pot Tester                     |

## **III. FACTORY ADJUSTMENT : See table 1- 4**

1. Press REMOTE FACTORY ON button.
2. Press REMOTE FACTORY button.
3. Press REMOTE UP or DOWN button select item.
4. Press REMOTE value (+) (-) button, adjust the value.
5. REMOTE DIALOG CENTRE button can turn off factory mode function.

REMARK : NO this factory on Normal remote control .

## **IV. B+ ADJUSTMENT**

1. Connect a digital voltmeter between the W234 and Ground.
2. Press REMOTE Picture button.
3. Press REMOTE UP/DOWN and value (-) button set Brightness, contrast, color to minimum.
4. Adjust Screen Volume on FBT Until the picture can just be seen.
5. Adjust VR901 and obtain a reading of 143V  $\pm$ 1V (DC).

## **V. AGC ALIGNMENT**

1. Receive CH69 (UHF) and input field strength. (60dB in put signal)
2. Connect a digital voltmeter between the TUNER AGC TERMINAL and Ground.
3. Press REMOTE AGC button.
4. Press REMOTE value (+) (-) button adjust value to (0) and then adjust AGC take over value obtain drop down 0.4V. (DC)

REMARK : ( 1/ The drop down voltage should be more than and tends to 0.4V )  
( 2/ No observable noise can be seen )

## VI. SOUND TRACKING ALIGNMENT

1. Receive a gray scale pattern.
2. Connect an oscilloscope and monitor IC109 PIN 15 and Ground.
3. Adjust T101 to obtain the waveform Fig.6.

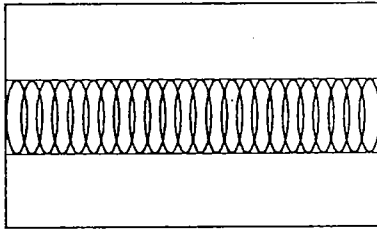


Fig.6

Remark: All frequency of Marker points are  $\pm 0.2\%$  tolerance.

## VII. EAST - WEST CORRECTION ADJUSTMENT

- 1) Receive a crosshatch and center cross pattern.
- 2) Set the Brightness, contrast to middle position.
- 3) Press REMOTE EW-Par/wid, EW-trap button, Press REMOTE VALUE (+) (-) button adjust Value to normal regular picture.
- 4) Press REMOTE WE-width button, Press REMOTE value (+) (-) button adjust value to proper horizontal width ( $90\% \pm 2\%$ )

## VIII. HORIZONTAL SHIFT ADJUSTMENT

1. Receive Monoscope Pattern input signal 70dB  $\pm 10$ dB.
2. Press REMOTE H-shift button.
3. Press REMOTE value (+) (-) button adjust value to obtain the picture at center  $\pm 2$ mm.  
(Specification show in Fig.8)

## IX. VERTICAL LINEARTY ADJUSTMENT

- 1) Receive a crosshatch and center cross pattern.
- 2) Set the Brightness, contrast to middle position.
- 3) Press REMOTE V-Slope, S-Correction button, Press REMOTE Value (+) (-) button adjust value to normal regular picture.
- 4) Press REMOTE V-Shift button, Press REMOTE Value (+) (-) button adjust value to obtain the picture at center.

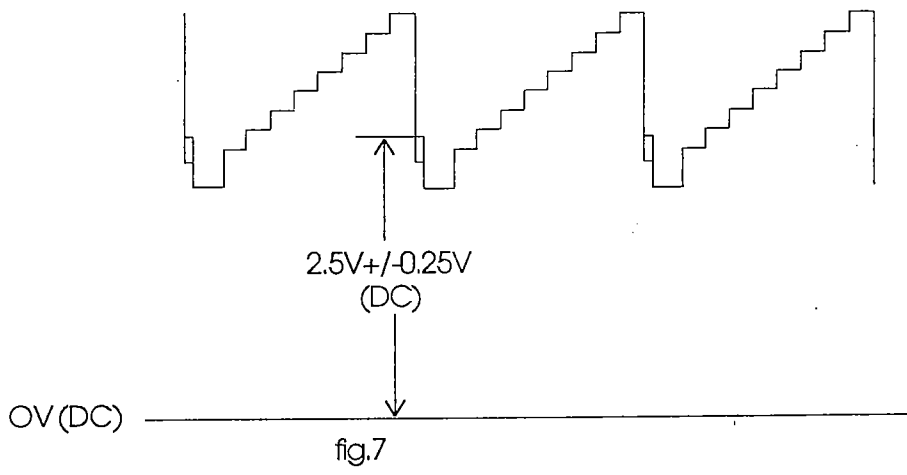
## X. VERTICAL AMPL ADJUSTMENT

1. Receive the Monoscope Pattern.
2. Press REMOTE V-ampl button.
3. Press REMOTE value (+) (-) button adjust value to obtain a normal picture.

## XI. WHITE BALANCE ALIGNMENT STEP

(Degauss the picture by degaussing coil if necessary)

1. Receive a grey scale pattern
2. Connect an oscilloscope and monitor CN101 pin "3" and ground.
3. Press REMOTE picture button.
4. Press REMOTE UP/DOWN and value (-) button set the brightness, contrast, to middle position.
5. Adjust screen volume on FBT until the waveform to 2.5V  $\pm 0.25$ V DC see fig.7.
6. Press REMOTE sub bri button.
7. Press REMOTE value (+) (-) button adjust value to (18).
8. Receive a black and white pattern
9. Press REMOTE white bal button.
10. Press REMOTE UP/Down and value (+) (-) button adjust blue str value to (0).
11. Press REMOTE picture button.
12. Press REMOTE UP/Down and Value (+) (-) button set the brightness and color to minimum position.  
contrast to MAX position.
13. Press REMOTE pt r.g.b. button.
14. Press REMOTE UP/Down and value (+) (-) button adjust the white balance. (9300<sup>®</sup>k)



## XII.SUB - BRIGHTNESS ALIGNMENT

1. Receive a grey scale pattern.
2. Press REMOTE picture button,.
3. Press REMOTE UP/DOWN and value (-) button set the brightness, contrast to minimum.
4. Press REMOTE sub bright button.
5. Press REMOTE value (+) (-) button adjust value to brightness bar can just be seen.

## XIII. FOCUS ALIGNMENT

- 1) Set the Brightness and Contrast to middle position.
- 2) Receive a monoscope pattern.
- 3) Adjust focus control to obtain sharpest picture.

## XIV. HIGH POT TESTING

- 1) Short the L - pole and N - pole of AC line cord.
- 2) Switch on the power switch of the TV Set.
- 3) Connect The High Pot Tester (-) to L and N pole, (+) to the METAL PART of CABINET.

SAFETY STD. / CONDITION	TEST SYANDARD	TEST STANDARN FOR PRODUCTION
VDE, SAA	3.0KV 10mA / 1MIN	$\geq 3.5$ KV $\leq 10$ mA / $\geq 10$ SEC.
BS	4.0KV 10mA / 1MIN	$\geq 4.0$ KV $\leq 10$ mA / $\geq 10$ SEC.
CHINA STANDARD	3.0KV 10mA / 1MIN	$\geq 3.3$ KV $\leq 5$ mA / $\geq 6$ SEC.
UL	1.0KV 5mA / 1MIN	$\geq 1.25$ KV $\leq 5$ mA / $\geq 1$ SEC.

Remark:

- 1) If no other specify, the strength of input signal should be 70dB  $\pm 10$ dB.
- 2) The High Pot Tester can have  $\leq \pm 5\%$  tolerance.

DISTRICT	CENTRE (mm) POSITION	LIMIT (mm)	SCANNING SIZE (%)	SCANNING SIZE LIMIT (%)
THAILAND	-1	0 ~ -2	90	88 ~ 92
FRANCE	+3	0 ~ +5	90	88 ~ 94
GERMANY	+3	0 ~ +5	90	90 ~ 95
*GROUP A	-2	-5 ~ -1	90	88 ~ 94
*GROUP B	0	-2 ~ +2	90	88 ~ 94
*GROUP C	+3	0 ~ +5	90	88 ~ 94

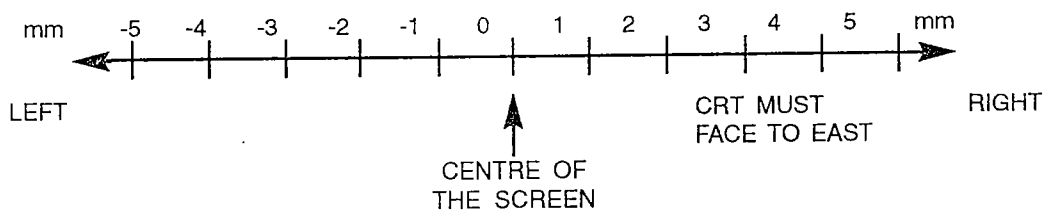


FIG. 8

- REMARK:
1. SUITABLE FOR 14" OR ABOVE TV.
  2. Adjust the centre position must take the upper side of monoscope pattern for standard.
  3. Group A: AUSTRALIA, NEW ZEALAND, TAHITI.
  4. Group B: HONG KONG, CHINA, AMERICA, CANADA, MALAYSIA, MEXICO.
  5. Group C: ENGLAND, ITALY, GERMANY, RUSSIA, SWITZERLAND, JUGOSLAVIA, SPANISH.
- If the above countries are not include, please consult to Engineering Dept.



FACTORY MODE TABLE 1

ITEM		REF VALUE	REMARK
1	POWER	P	O = TV Status S = Power Status P = Last power status
2	TDA884X	3	1=PAL/NTSC.W/O BW                      3=PAL/NTSC.W/BW 2=PAL/SECAM/NTSC.W/O BW          4=PAL/SECAM/NTSC,W/BW
3	S.SYS	6	1 = DK/I                                  4 = BG/DK/I/M 2 = BG/DK                                5 = I 3 = DK/I/M                                6 = BG
4	LOGO	1	1 = NIL 2 = TRAC 3 = HATER
5	CT1	0	0 = OFF 1 = ON
6	OSD.	1	0 = NO BACKGAN 1 = W/BACKGAN
7	WOOFER	0	0 = OFF 1 = ON
8	TELETEXT	1	0 = OFF 1 = ON
9	BLUE STR	0	0 = OFF 1 = ON
10	AV NO	1	1 = TV/AV1/AV2/AV3/S-VHS 2 = TV/AV1/AV2/S-VHS 3 = TV/AV1/AV2
11	KARAOKE	0	0 = OFF 1 = ON
12	BBE	0	0 = OFF 1 = ON
13	HALF SCR	0	0 = Picture 1 = HAF Picture

FACTORY MODE TABLE 2

ITEM		VALUE ADJUST RANGE	REF VALUE	REMARK
1	H-SHIFT	co-ff	dd	For CII ON TV set Adjustmant
		80-Bf	a3	For CII OFF TV set Adjustmant
2	V-SLOPE	0-3f	2b	For TV set Adjustmant
3	V-AMPL	40-80	55	For TV set Adjustmant
4	S-CORRECTION	80-Bf	90	For TV set Adjustmant
5	V-SHIFT	0-3f	1e	For TV set Adjustmant
6	EW-WIDTH	0-3f	36	For TV set Adjustmant
7	EW-PAR	0-3f	16	For TV set Adjustmant
8	EW-CORNER	0-3f	0	For TV set Adjustmant
9	EW-TRAP	0-3f	2a	For TV set Adjustmant
10	CONTROL 0		3	NON-Adjustable Value
11	CONTROL 1		90	NON-Adjustable Value
12	AGC	0-3f	12	For TV set Adjust mant
13	PLL		40	For TV Set IF Frequency 40 = 38.90 MHz      80 = 33.40 MHz 60 = 38.00 MHz      CI = 33.90 MHz

FACTORY MODE TABLE 3

ITEM		VALUE ADJUST RANGE	REF VALUE	REMARK
1	CONTROL 2		18	NON-Adjustable value
2	CONTROL 3		6	NON-Adjustable value
3	CONTROL 4		e9	CTI ON Set 9 CTI OFF Set e9
4	HOTEL LOCK		0	0 = OFF 1 = ON
5	SaB SHP	00-31	00	Sab shp setting
6	COMB		0	0 = OFF 1 = ON
7	NICAM		0	0 = NICAM/G.ST 2 = G.ST 1 = NICAM
8	CCD		0	0 = OFF 1 = ON

FACTORY MODE TABLE 4

ITEM		VALUE ADJUST RANGE	REF VALUE	REMARK
1	PT R	0-3f	22	For TV Set Adjustmant
2	PT G	0-3f	22	For TV Set Adjustmant
3	PT B	0-3f	22	For TV Set Adjustmant
4	WHITE BAL		0	0 = Picture 1 = H-LINE
5	SUB BRI	00-31	18	Sub bri Sating

LOCATION	T R	B.V	C.V	E.V				
Q101		0.7	0	1.6				
Q102		4.9	0.3	4.9				
Q103		4.9	0.15	4.9				
Q104		4.3	4.9	4.9				
Q105		3.2	0	3.2				
Q106		2.4	7.9	1.7				
Q108		2.8	6.7	2.1				
Q109		1	7	0.3				
Q110		0.7	0	1.4				
Q111		7.7	0	7.9				
Q113		4.3	4.8	4.9				
Q114		4.9	4.9	4.6				
Q115		0	4.9	0				
Q116		4.8	0	4.9				
Q117		0.7	0.5	0				
Q118		0	8.1	0				
Q119		0.6	0	0				
Q301		2.8	2.8	2.8				
Q401		13.6	0	14.3				
Q402		0.6	13.8	0				
Q403		0	115	0				
Q404		0.4	76	0				
Q405		21.6	21	21				
Q701		0	10	0				
Q909		-2.35	293	0				
Q910		0	8.6	0				
Q911		10.2	0	1.3				
Q912		8.9	14	8.2				
Q913		15.3	15.3	14.6				
Q914		14.7	15.3	15.3				

PIN NO	SYMBOL	IC101/V	IC102/V	IC103/V	IC104/V	IC105/V	IC106/V	IC107/V
1		NC	0.7	GND	0	5	GND	NC
2		NC	0.7	NC	0	5	GND	NC
3		NC	0	GND	0	5	GND	GND
4		NC	0	GND	0	5	GND	4.2
5		2.6	4.7	4.8	0	5	5	4.2
6		2.1	0	4.8	0	5	5	GND
7		4.3	0.3	4.8	0	5	5	3.9
8		4.3	NC	4.5	0	5	5	2.6
9		6.6	NC		0	GND		0
10		1.1	4.5		0	GND		2.3
11		3.7	NC		0	GND		2.3
12		7.8	NC		0	GND		2.3
13		3.5	NC		0	GND		GND
14		GND	4.7		0	5		GND
15		NC	NC		0	5		4.9
16		3.9	4.1		0	5		4.9
17		3.3	0		0	GND		GND
18		6.5	GND		0	GND		1.9
19		3.1	2.2		0	GND		1.9
20		2.7	1.8		5	5		NC
21		2.5	GND			GND		NC
22		3.6	4.8			GND		NC
23		3.5	3.5			2.4		NC
24		3.5	3.5			GND		NC
25		3.5	4.6			2.1		NC
26		0.2	NC			2.5		NC
27		2.1	NC			0		NC
28		2.1	NC			GND		GND
29		2.4	4.7			NC		2.3
30		2.4	4.7			5		GND
31		2.4	4.3			2.5		2.3
32		2.4	4.3			0		2.3
33		4.2	4.7			0		NC
34		2.5	4.3			0		NC
35		2.5	NC			0		GND
36		4.3	NC			0.8		NC
37		7.9	4.7			0.8		NC
38		1.9	0			5		4.4
39		4.9	0			5		4.4
40		0.3	0			GND		GND
41		0.7	0			2.4		GND
42		4	0			2.7		GND
43		3.8				0		GND
44		GND				5		GND
45		0.5				GND		GND
46		2.4				GND		2.2
47		2.6				GND		2.3
48		4.6				GND		2.3
49		4.6				4.3		GND
50		2.2				4.3		GND
51		3.8				5		NC
52		3.8				5		NC
53		3.4						2.4
54		4.6						2.4
55		2.9						2.4
56		3.7						0
57								NC
58								NC
59								4.8
60								2.3
61								2.3
62								2.4
63								2.4
64								4.9

PIN NO	SYMBOL	IC108/V	IC109/V	IC301/V	IC401/V	IC402/V	IC403/V	IC404/V
1		10.5	1.8	0	0.7	14.6	13.7	11.8
2		15.4	2.1	0	8.3	GND	GND	GND
3		10.5	2.5	0	11.5	8	5	5
4		10.4	1.8	4.8	15.6			
5		GND	1.8	0.7	8.1			
6		10.4	1.9	GND	GND			
7		21	1.9	2	44			
8		10.5	1.8	1.6	GND			
9		10.5	1.8	1	8.4			
10			3.9	1.2	15.6			
11			3.9	GND	1.2			
12			3	4.8	1.2			
13			NC	1	7			
14			2.8	4.2				
15			1.8	4.2				
16			2.8	1				
17			NC	0				
18			GND	0				
19			4.9					
20			1.8					
21								
22								
23								
24								
25								
26								
27								
28								
29								
30								
31								
32								
33								
34								
35								
36								
37								
38								
39								
40								
41								
42								
43								
44								
45								
46								
47								
48								
49								
50								
51								
52								
53								
54								
55								
56								
57								
58								
59								
60								
61								
62								
63								
64								

PIN NO	SYMBOL	IC501/V	IC01/V	IC701/V						
1		3.2	7.5	2.9						
2		3.3	3.8	0						
3		3.1	NC	2.9						
4		GND	NC	2.9						
5		6.4	NC	2.9						
6		196	5.7	2.9						
7		91	5.7	2.9						
8		82	5.7	2.9						
9		88	5.7	2.9						
10			5.7	2.9						
11			5.7	0						
12			GND	0						
13			5.7	0						
14			5.7	0						
15			5.7	3						
16			5.7	2.9						
17			10	1.47						
18			10	0						
19			GND	0						
20			4.2	0						
21			4.2							
22			10							
23			10							
24			5.7							
25			5.7							
26			NC							
27			5.7							
28			NC							
29			10							
30			4.3							
31			4.5							
32			4.3							
33			4.5							
34			NC							
35			NC							
36			NC							
37										
38										
39										
40										
41										
42										
43										
44										
45										
46										
47										
48										
49										
50										
51										
52										
53										
54										
55										
56										
57										
58										
59										
60										
61										
62										
63										
64										



PART NUMBER DESCRIPTION QTY LOCATION

155R833030213	REMOTE CONTROL ASSY	1	
107-800455-4G	RESONATOR 455 KHZ ET455Z PO TUNG	1	CF701
113-109005-17	CARBON FILM RESISTOR 1 OHM 1/16W +-5%	2	R701,703
113-221005-17	CARBON FILM RESISTOR 220 OHM 1/16W +-5%	1	R702
123-151350-93	CERAMIC CAP. 150 PF 50V +-10% (NPO)	2	C701,702
127-105072-06	ELECT CAP. 1 MFD 50V +-20% {TAPING TYPE}	1	C703
130-134148-01	SILICON DIODE IN4148	3	D702-704
130-600101-0G	INFRARED EMITTER EL-1L1 KODENS HI "GUANG ZHOU XIONGGUANG"	1	LED701
131-231815-0A	TRANSISTOR 2SC1815 TOSHIBA {TAPING}	1	Q701
133-803428-12	I.C. M34280M1 MITSUBISHI	1	IC701
172-726000-99	BARE WIRE 54MM	0.11	W701
190-R83301-02	REMOTE P.C.B. (270499 REV.1)	1	
514-200407-10	SELF-TAPPING SCREW 2 X 7 B/T (HARDEN)	1	FOR HANDSET
774-002001-00	BATTERY SPRING +VE & -VE	1	
774-R83301-00	BATTERY SPRING (-VE)	1	
774-R83302-00	BATTERY SPRING (+VE)	1	
810-041104-13	POLYBAG 4" X 11" X 0.04MM W/RE-CYCLING MARK	1	FOR HANDSET
849-R83301-08	RUBBER KEY PAD - ENG STD {FOR MTSUBISHI lȳC}	1	
900-R83301-75	REMOTE TOP CAB. - SILVER 1008K SPRAYED "MITSUBISHI lȳC"	1	
902-R83301-10	HANDSET REAR CAB - 1008K SILVER SPRAYED	1	
910-R83301-12	BATTERY DOOR - 1008K SILVER SPRAYED	1	
919-R83310-26	R/TOP DOOR-TEAC DESIGN(RC-811) (CT-M5950S)(SILVER 1008K)	1	
514-400425-10	SELF-TAPPING SCREW 4 X 25 B/T (HARDEN)	10	FOR FRONT CAB TO REAR CAB.
514-400430-10	SELF-TAPPING SCREW 4 X 30 B/T (HARDEN)	3	FOR FRONT CAB TO REAR CAB.
515-303406-10	SELF-TAPPING SCREW 3 X 6 W/B/T (HARDEN)	5	FOR CHANNEL PCB
515-303410-10	SELF-TAPPING SCREW 3 X 10 W/B/T (HARDEN)	10	2 FOR POWER SWITCH MTG.,8 FOR SPEAKER
515-303410-10	SELF-TAPPING SCREW 3 X 10 W/B/T (HARDEN)	2	2-FOR REMOTE CONTROL PCB
524-932501-00	CRT MTG. SCREW 7 X 35 VP (HARDEN)	4	FOR CRT MTG.
580-101261-01	CABLE TIE L=100MM	11	9 FOR DEGAUSSING COIL,2 FOR SPK.WIRE MTG.
580-102261-00	CABLE TIE L=200MM W=2.5MM	2	FOR DEGAUSSING COIL
580-103261-00	CABLE TIE L=300MM W=3.5MM	6	FOR DEGAUSSING COIL
622-733B01-00	PAD CORD L240 X W10 X TO.5MM W/TAPE	7	BETWEEN CRT AND FRONT CAB
622-882802-00	FELT L240 X W17 X TO.5MM W/TAPE	6	6 FOR FRONT CAB TO REAR CAB
630-238010-00	FIBRE WASHER OD=23 , ID=8 T=1MM	4	FOR VIDEO COLOR CRT MTG.
744-881301-00	SPRING FOR C.R.T. MOUNTING 5.2 X 42 X 0.6MM	2	FOR CRT
750-063102-01	35MM SOLDERING LUG OD:7 ID:3.2 LEG:4X35MM	2	FOR SPK.WIRE MTG.
777-829F01-00	POWER KNOB SPRING IN DIM OD=8.5MM, L=16MM	1	FOR POWER SWITCH

PART NUMBER DESCRIPTION QTY LOCATION

800-202501-00	POLYFOAM BOTTOM (C)- LEFT	1	
800-202502-00	POLYFOAM BOTTOM (C) - RIGHT	1	
800-202503-00	POLYFOAM TOP (C) - LEFT	1	
800-202504-00	POLYFOAM TOP (C) - RIGHT	1	
810-052204-14	POLYBAG 5" X 22" X 0.04MM W/RE-CYCLING MARK {P/O MAT}	1	FRO AC LINE CORD
826-432005-00	FOAM SHEET - 43" X 20" X 0.5MM THK	1	FOR UNIT TOP
834-230802-00	RUBBER WASHER OD=23, ID=8, T=2	4	FOR VIDEO COLOR CRT MTG.
840-052530-00	RUBBER PAD (ONE SIDE W/TAPE)	4	FOR VIDEO COLOR CRT MTG.
840-082929-11	RUBBER PAD (ONE SIDE W/TAPE)	4	FOR VIDEO COLOR CRT MTG.
948-882003-00	DOOR LOCKER	1	
954-729B02-00	INSERT	4	FOR VIDEO COLOR CRT MTG.
954-882100-00	AC LINE CORD CLIP	1	
180-2025T0-37-02	MAIN PCB ASSY		
969-282902-00	LIGH GUIDING POST(TRANSPARENT)	1	
003-131315-0E	TUNER 38.9 MHZ(WSP HYPER 5V) UV1315 PHILIPS (LOW JACK 30MM)	1	TUNER
105-109103-08	FIXED INDUCTIVE COIL 1.0UH +-10% (WITTIS)	2	(L601,602 ON SIDE AV PCB)
107-731500-01	SAW FILTER 33.4 MHZ B5308 "NANYANG"	1	SAW102
107-738915-00	SAW FILTER 38.9 MHZ TSF5315 SANYO	1	SAW101
113-101005-17	CARBON FILM RESISTOR 100 OHM 1/16W +-5%	3	R330,331,332
113-103005-17	CARBON FILM RESISTOR 10K OHM 1/16W +-5%	1	R336
113-122005-17	CARBON FILM RESISTOR 1.2K OHM 1/16W +-5%	1	R334
113-220305-75	METAL OXIDE FILM RESISTOR 22 OHM 1W +-5%	1	R337
113-221005-17	CARBON FILM RESISTOR 220 OHM 1/16W +-5%	1	R335
113-391005-17	CARBON FILM RESISTOR 390 OHM 1/16W +-5%	2	(R602,603 ON SIDE AV PCB)
113-393005-17	CARBON FILM RESISTOR 39K OHM 1/16W +-5%	1	R333
123-101350-60	CERAMIC CAP. 100 PF 50V +-10% (SL TYPE) "SMART GOOD"	2	C333,334
123-103370-90	CERAMIC CAP. 0.01 MFD 50V +80 -20%	2	(C601,602 ON SIDE AV PCB)
123-104270-90	CERAMIC CAP. 0.1 MFD 25V +80 -20%	2	C337,338
123-271350-60	CERAMIC CAP. 270 PF 50V +-10% (SL TYPE)	2	C330,331
123-331350-60	CERAMIC CAP. 330 PF 50V +-10% (SL TYPE)	1	C332
126-104071-01	MYLAR CAP. 0.1 MFD 50V +-10% ***AUDIO NOT USER***	1	C340
126-224071-01	MYLAR CAP 0.22 MFD 50V +-10%	1	C339
127-226042-06	ELECT CAP. 22 MFD 16V +-20% {TAPING TYPE}	1	C341
130-410120-01	ZENER DIODE 12V 1/2W +-5% {TAPING} "TEMIC"	1	ZD330
133-104565-33	I.C. TDA4565 PHILIPS	1	IC330
133-108843-33	I.C. TDA8843 PHILIPS	1	IC101

PART NUMBER DESCRIPTION QTY LOCATION

160-102255-27	PIN CONNECTOR 2 PINS PLUG STRAIGHT (UL) (S.H.S)	4	CN333,335,(CN601,602 ON SIDE AV PCB)
160-104255-27	PIN CONNECTOR 4 PINS PLUG (SHS)	1	CN334
161-121402-00	MINI JACK #HSJ0914-01-040 (HOSIDEN)	1	(EP601 ON SIDE AV PCB)
161-470003-09	RCA JACK 2 PIN (YELLOW) ANGLE AV-8.4-6Y "LOQING CHENGFENG"	1	(J14 ON SIDE AV BOARD)
161-470015-06	RCA JACK 2 PIN WHITE RIGHT ANGEL "SHENZHEN LONGGUANG"	1	(J16 ON SIDE AV BOARD)
161-473204-09	RCA JACK 3 PIN RED RIGHT ANGLE "LOQING CONIC"	1	(J15 ON SIDE AV BOARD)
166-187027-40	SPEAKER 4" X 2 3/4" 8 OHM 7W #TCL#	2	
172-726000-99	BARE WIRE 54MM	0.5	W279,287,288,290,291,292,330,C335,336
186-223500-15	HI-WATT REGULAR STANDARD 2A R6P VINYL JACKET 1.5V BATTERY	2	PACKED IN CTN
190-382504-P8	SIDE JACK BOARD (260400)	1	
190-932900-20	CTI P.C.B. (020200)	1	
191-200056-10	2 PIN SOCKET ASS'Y L=560MM	1	FROM MAIN PCB CN107 TO SIDE AV PCB PIN `1'TO`J',
191-200056-10	2 PIN SOCKET ASS'Y L=560MM	0	`2'TO`H'
191-201006-10	2 PIN SOCKET ASS'Y L=700MM	1	FROM SIDE AV PCB CN601 TO RIGHT SPK.PIN `1'TO`+',
191-201006-10	2 PIN SOCKET ASS'Y L=700MM	0	`2'TO`-'
191-201006-10	2 PIN SOCKET ASS'Y L=700MM	1	FROM SIDE AV PCB CN602 TO LEFT SPK.PIN `1'TO`+',
191-201006-10	2 PIN SOCKET ASS'Y L=700MM	0	`2'TO`-'
191-201231-10	2 PIN FLAT CABLE L=140MM AWG26 (1 SIDE SOCKET, 1 SIDE PLUG)	1	FROM MAIN PCB CN333 TO CTI PCB CN331 PIN `1'TO`1',
191-201231-10	2 PIN FLAT CABLE L=140MM AWG26 (1 SIDE SOCKET, 1 SIDE PLUG)	0	`2'TO`2'
191-201238-10	2 PIN FLAT CABLE L=240MM #26 (1 SIDE SOCKET, 1 SIDE PLUG)	1	FROM MAIN PCB CN335 TO CTI PCB CN332 PIN `1'TO`1',
191-201238-10	2 PIN FLAT CABLE L=240MM #26 (1 SIDE SOCKET, 1 SIDE PLUG)	0	`2'TO`2'
191-301005-10	3 PIN SOCKET ASS'Y (2 WIRE) L=560MM	1	FROM MAIN PCB CN106 TO SIDE AV PCB PIN `1'TO`F',
191-301005-10	3 PIN SOCKET ASS'Y (2 WIRE) L=560MM	0	`2'TO`G'
191-401005-10	4 PIN SOCKET ASS'Y L=450MM	1	FOR CRT
191-401240-10	4 PIN FLAT CABLE 120MM #28 UL 20080 1 SIDE SOCK,1 SIDE PLUG	1	FROM MAIN PCB CN334 TO CTI PCB CN330 PIN `1'TO`1',
191-401240-10	4 PIN FLAT CABLE 120MM #28 UL 20080 1 SIDE SOCK,1 SIDE PLUG	0	`2'TO`2',`3'TO`3',`4'TO`4'
509-305010-00	MACHINE SCREW 3 X 10 KM (BLACK)	2	FOR JACK PLATE TO REAR CAB.
515-303408-10	SELF-TAPPING SCREW 3 X 8 W/B/T (HARDEN)	2	FOR CTI PCB
517-306110-10	SELF TAPPING SCREW 3 X 10 W/T W/H =10MM	2	FOR SIDE JACK PCB MTG.

PART NUMBER DESCRIPTION QTY LOCATION

610-202542-01	GIFT BOX - TEAC DESIGN (CT-M5950S)(H3A3A3H)	1	
663-230157-01	SERIAL NO.LABEL - TEAC DESIGN	4	2-ON L & R SIDES OF CTN,1-R/LABEL,1-WARRANTY CARD
669-2025C1-03	RATING LABEL - TEAC DESIGN (CT-M5950S) 240V 130W	1	
670-202500-05	I/M - TEAC DESIGN (CT-M5950S) "MITSUBISHI IyC" 220P.	1	
678-202502-01	SCREEN STICKER - TEAC DESIGN (CT-M5950S)	1	
678-868A01-31	TOTAL CARE LABEL - TEAC (E) DESIGN (MC-D48)	1	
690-931339-02	WARRANTY CARD- TEAC (D) DESIGN	1	
693-202501-03	EAN CODE LABEL - 9325073003323 (TEAC DESIGN)	1	STUCK ON L & R SIDES OF EACH CTN
710-932901-01	NAME PLATE - TEAC (B) DESIGN (BIG SIZE) (ELECTROFORMED)	1	
749-282902-00	HEAD PHONE FIXED PLATE (NICKEL PLATE BLACK)	1	FOR SIDE JACK PCB MTG.
810-091504-13	POLYBAG 9" X 15" X 0.04MM W/ RE-CYCLING P.E.MARK	1	FOR I/MANUAL
810-455304-1B	POLYBAG 45"X53"X0.04MM PE MAT. TEAC DESIGN (CT-M596SR)	1	FOR UNIT
884-2025C1-02	PRESET PLATE - TEAC DESIGN (CT-M5950S)	1	
884-382524-02	SIDE JACK COVER - ENG STD W/SS.(AV 2IN)(4 KEYS)	1	
884-729A43-01	J/COVER-75 ANT,AV3 & S.VIDEO IN/AV OUT/SCART(MITSUBISHI IyC)	1	
900-202523-07	FRONT CABINET (C) - SILVER 1008K W/GREY 433C SS.	1	
902-202532-U1	REAR CABINET - BLACK MOULDED (UL)	1	
919-2029C1-13	PRESET DOOR - TEAC DESIGN (CT-M5950S)	1	
980-382502-07	SIDE JACK PLATE - 1008K SILVER SPRAY	1	
980-729A12-U0	JACK PLATE W/BRASS INSERL UL 940V	1	
991-282901-13	POWER KNOB - SILVER (1008K) SPRAYED	1	
002-125260-48	25" CRT S/H #A59KYL220X06V (AUSTRALIA) "LG CHEUNG SHA"	1	#
008-600251-05	DEGAUSSING COIL 60T (W/FIVE LAYERS OF TAPE)	1	# L903
171-550084-B0	7" SAA APP LINE CORD 2-PIN PLUG	0	#
171-550084-D0	84" AC LINE CORD W/SAA APP. 10A 250V	1	#
180-2025T0-37-CP			
171-550084-D1	7' SAA APP. LINE CORD W/PLUG E-CUTTING 45MM,15MM PVC HOLDER	0	#
012-102340-0B	SEMI-FIXED RES. WI06-2AL-1K "SHENZHEN YUNGJIANG"	1	VR901
101-160984-94	STANDBY SWITCHING TRANSFORMER KB16E984 "HIGHLIGHT"	1	T970
101-191009-96	HORIZONTAL DRIVE TRANSFORMER (R1009)	1	T401
102-370600-0B	TANK COIL / AFC COIL 707851 "DONGGUAN LIHANG"	1	T101
105-100103-16	FIXED INDUCTIVE COIL 10UH 10% AL0305-100K "BOLUO DUIWANG"	6	L101-103,105,109,110
105-109101-02	FIXED INDUTIVE COIL 1.0 uH 10%	5	R252,253,W151,152,L201

PART NUMBER DESCRIPTION QTY LOCATION

105-109103-08	FIXED INDUCTIVE COIL 1.0UH +-10% (WITTIS)	2	R236,237
105-180103-08	FIXED INDUCTIVE COIL 18 UH +-10% 0410 "WITTIS"	1	L106
105-201106-02	CHOKER COIL 200UH 10% CH9012- 201K (ELEC PRODUCT)	3	L403,904,W255
105-500052-06	LINEARITY COI 50UH LX14I242B "HIGHLIGHT"	1	L401
105-689103-16	FIXED INDUCTIVE COIL 6.8UH 10% AL0305-6R8K "BOLUO DUIWANG"	1	L104
105-821156-06	CHOKER COIL 820UH 0.37 OHM HIGHLIGHT	1	L402
106-210048-01	RELAY 48V VS48MB "TAKAMISAWA"	1	RLY902
107-105500-66	SOUND TRAP CERAMIC FILTER 5.5MHZ WEI HAW	1	CF101
113-100105-17	CARBON FILM RESISTOR 10 OHM 1/4W +-5%	2	R238,242
113-100505-75	METAL OXIDE FILM RESISTOR 10 OHM 3W +-5%	2	R422,411
113-101005-17	CARBON FILM RESISTOR 100 OHM 1/16W +-5%	7	R123,141,173,174,180,194,196
113-101005-17	CARBON FILM RESISTOR 100 OHM 1/16W +-5%	6	R201,202,207,247,239,240
113-101005-17	CARBON FILM RESISTOR 100 OHM 1/16W +-5%	4	R501-503,160
113-101005-17	CARBON FILM RESISTOR 100 OHM 1/16W +-5%	20	R06-23,38,39
113-101105-17	CARBON FILM RESISTOR 100 OHM 1/4W +-5%	2	R938,975
113-101305-75	METAL OXIDE FILM RESISTOR 100 OHM 1W +-5%	1	R939
113-102005-17	CARBON FILM RESISTOR 1K OHM 1/16W +-5%	12	R101,148,152,161,166,197,198,208-211,114
113-102005-17	CARBON FILM RESISTOR 1K OHM 1/16W +-5%	7	R245,249,250,267,268,402,510
113-102005-17	CARBON FILM RESISTOR 1K OHM 1/16W +-5%	4	R243,244,278,140
113-102105-17	CARBON FILM RESISTOR 1K OHM 1/4W +-5%	1	R973
113-102205-12	CARBON FILM RESISTOR 1K OHM 1/2W +-5%	3	R505-507
113-102305-75	METAL OXIDE FILM RESISTOR 1K OHM 1W +-5%	1	R410
113-103005-17	CARBON FILM RESISTOR 10K OHM 1/16W +-5%	4	R121,187,189,251
113-103005-17	CARBON FILM RESISTOR 10K OHM 1/16W +-5%	2	R185,05
113-103101-67	METAL FILM RESISTOR 10K OHM 1/4W +-1%	1	R113
113-103105-17	CARBON FILM RESISTOR 10K OHM 1/4W +-5%	2	R905,514
113-104005-17	CARBON FILM RESISTOR 100K OHM 1/16W +-5%	1	R142
113-104305-75	METAL OXIDE FILM RESISTOR 100K OHM 1W +-5%	1	R918
113-109105-17	CARBON FILM RESISTOR 1 OHM 1/4W +-5%	2	R235,406
113-109205-12	CARBON FILM RESISTOR 1 OHM 1/2W +-5%	2	R407,408
113-120305-75	METAL OXIDE FILM RESISTOR 12 OHM 1W +-5%	1	R909
113-120405-75	METAL OXIDE FILM RESISTOR 12 OHM 2W +-5%	1	R917
113-120505-75	METAL OXIDE FILM RESISTOR 12 OHM 3W +-5%	1	R423
113-121005-17	CARBON FILM RESISTOR 120 OHM 1/16W +-5%	1	R153

PART NUMBER DESCRIPTION QTY LOCATION

113-122005-17	CARBON FILM RESISTOR 1.2K OHM 1/16W +-5%	2	R269,285
113-122105-17	CARBON FILM RESISTOR 1.2K OHM 1/4W +-5%	1	R976
113-123005-17	CARBON FILM RESISTOR 12K OHM 1/16W +-5%	1	R203
113-123105-17	CARBON FILM RESISTOR 12K OHM 1/4W +-5%	1	R974
113-123405-75	METAL OXIDE FILM RESISTOR 12K OHM 2W +-5%	2	R970,971
113-124005-17	CARBON FILM RESISTOR 120K OHM 1/16W +-5%	1	R413
113-129105-17	CARBON FILM RESISTOR 1.2 OHM 1/4W +-5%	1	R248
113-151005-17	CARBON FILM RESISTOR 150 OHM 1/16W +-5%	1	W223
113-151305-75	METAL OXIDE FILM RESISTOR 150 OHM 1W +-5%	1	R522
113-152005-17	CARBON FILM RESISTOR 1.5K OHM 1/16W +-5%	2	R171,405
113-152105-17	CARBON FILM RESISTOR 1.5K OHM 1/4W +-5%	2	R516,517
113-152205-12	CARBON FILM RESISTOR 1K5 OHM 1/2W +-5%	2	R508,429
113-153005-17	CARBON FILM RESISTOR 15K OHM 1/16W +-5%	2	R134,401
113-153405-75	METAL OXIDE FILM RESISTOR 15K OHM 2W +-5%	1	R418
113-154005-17	CARBON FILM RESISTOR 150K OHM 1/16W +-5%	1	R278A
113-158405-75	METAL OXIDE FILM RESISTOR 0.15 OHM 2W +-5%	1	R912
113-159905-51	WIRE WOUND CEMENT RESISTOR 1.5 OHM 10W +-5%	1	R924
113-180505-75	METAL OXIDE FILM RESISTOR 18 OHM 3W +-5%	1	R428
113-181005-17	CARBON FILM RESISTOR 180 OHM 1/16W +-5%	1	R150
113-182105-17	CARBON FILM RESISTOR 1.8K OHM 1/4W +-5%	1	R904
113-220205-12	CARBON FILM RESISTOR 22 OHM 1/2W +-5%	1	R417
113-221005-17	CARBON FILM RESISTOR 220 OHM 1/16W +-5%	2	R179,129
113-222005-17	CARBON FILM RESISTOR 2.2K OHM 1/16W +-5%	3	R186,419,206
113-222105-17	CARBON FILM RESISTOR 2.2K OHM 1/4W +-5%	1	R518
113-222205-12	CARBON FILM RESISTOR 2.2K OHM 1/2W +-5%	1	R523
113-223005-17	CARBON FILM RESISTOR 22K OHM 1/16W +-5%	7	R107-112,420
113-223101-67	METAL FILM RESISTOR 22K OHM 1/4W +-1%	1	R105
113-223105-17	CARBON FILM RESISTOR 22K OHM 1/4W +-5%	3	R972,103,104
113-224005-17	CARBON FILM RESISTOR 220K OHM 1/16W +-5%	1	R127
113-224105-17	CARBON FILM RESISTOR 220K OHM 1/4W +-5%	1	R102
113-229505-75	METAL OXIDE FILM RESISTOR 2.2 OHM 3W +-5%	1	R509

PART NUMBER DESCRIPTION QTY LOCATION

113-229605-51	WIRE WOUND CEMENT RESISTOR 2.2 OHM 5W +-5%	1	R944
113-243105-17	CARBON FILM RESISTOR 24K OHM 1/4W +-5%	1	R979
113-270405-75	METAL OXIDE FILM RESISTOR 27 OHM 2W +-5%	1	R910
113-270605-75	METAL OXIDE FILM RESISTOR 27 OHM 5W	1	R980
113-271005-17	CARBON FILM RESISTOR 270 OHM 1/16 W +-5%	2	R241,414
113-272205-12	CARBON FILM RESISTOR 2.7K OHM 1/2W +-5%	1	R415
113-273005-17	CARBON FILM RESISTOR 27K OHM 1/16W +-5%	3	R258,135,119
113-331005-17	CARBON FILM RESISTOR 330 OHM 1/16W +-5%	7	R156,157,261-263,155,271
113-331105-17	CARBON FILM RESISTOR 330 OHM 1/4W +-5%	1	R901
113-332005-17	CARBON FILM RESISTOR 3.3K OHM 1/16W +-5%	7	R130-131,136,139,204,205,403
113-332102-17	CARBON FILM RESISTOR 3.3K OHM 1/4W +-2%	1	R907
113-332905-58	WIRE WOUND CEMENT RESISTOR 3K3 OHM 10W +-5% H=39MM TAIWAN OHM	1	R416
113-333005-17	CARBON FILM RESISTOR 33K OHM 1/16W +-5%	2	R183,184
113-334105-17	CARBON FILM RESISTOR 330K OHM 1/4W +-5%	1	R981
113-334305-75	METAL OXIDE FILM RESISTOR 330K OHM 1W +-5%	1	R911
113-335105-17	CARBON FILM RESISTOR 3.3M OHM 1/4W +-5%	1	R977
113-339105-17	CARBON FILM RESISTOR 3.3 OHM 1/4W +- 5%	1	R978
113-390405-75	METAL OXIDE FILM RESISTOR 39 OHM 2W +-5%	1	R01
113-390605-75	METAL OXIDE FILM RESISTOR 39 OHM 5W +-5%	1	R913
113-391005-17	CARBON FILM RESISTOR 390 OHM 1/16W +-5%	1	R147
113-392005-17	CARBON FILM RESISTOR 3.9K OHM 1/16W +-5%	2	R115,128
113-393005-17	CARBON FILM RESISTOR 39K OHM 1/16W +-5%	1	R190
113-3938J1-67	METAL FILM RESISTOSR 39K OHM 1/8W +-1% "DONGGUAN CHANGAN"	1	R143
113-399405-75	METAL OXIDE FILM RESISTOR 3.9 OHM 2W +-5%	1	R432
113-470005-17	CARBON FILM RESISTOR 47 OHM 1/16W +-5%	2	R149,W128
113-470205-75	METAL OXIDE FILM RESISTOR 47 OHM 1/2W +-5%	1	R504
113-471005-17	CARBON FILM RESISTOR 470 OHM 1/16W +-5%	4	R412,163,164,165
113-471105-17	CARBON FILM RESISTOR 470 OHM 1/4W +-5%	2	R519,520
113-471305-75	METAL OXIDE FILM RESISTOR 470 OHM 1W +-5%	1	R404
113-472005-17	CARBON FILM RESISTOR 4.7K OHM 1/16W +-5%	9	R132,133,176,177,178,192,193,199,200
113-472005-17	CARBON FILM RESISTOR 4.7K OHM 1/16W +-5%	4	R226,228,256,257

PART NUMBER DESCRIPTION QTY LOCATION

113-472005-17	CARBON FILM RESISTOR 4.7K OHM 1/16W +-5%	6	R265,266,02,03,254,255
113-472105-17	CARBON FILM RESISTOR 4.7K OHM 1/4W +-5%	1	R908
113-473005-17	CARBON FILM RESISTOR 47K OHM 1/16W +-5%	9	R270,25,26,28,29,31,32,34,35
113-479105-17	CARBON FILM RESISTOR 4.7 OHM 1/4W +-5%	1	R406
113-479605-75	METAL OXIDE FILM RESISTOR 4.7 OHM 5W +-5%	1	R427
113-560005-17	CARBON FILM RESISTOR 56 OHM 1/16W +-5%	1	R151
113-562005-17	CARBON FILM RESISTOR 5.6K OHM 1/16W +-5%	2	R146,434
113-565210-99	CARBON COMPOSITION RES. 5.6M OHM 1/2W +-10% INNER MONGOLIA	2	FOR SPEAKER TO SPEAKER GRILLE
113-680405-75	METAL OXIDE RESISTOR 68 OHM 2W +-5%	1	R122
113-681005-17	CARBON FILM RESISTOR 680 OHM 1/16W +-5%	1	R116
113-682005-17	CARBON FILM RESISTOR 6.8K OHM 1/16W +-5%	1	R124
113-682102-17	CARBON FILM RESISTOR 6.8K OHM 1/4W +-2%	1	R902
113-682105-17	CARBON FILM RESISTOR 6.8K OHM 1/4W +-5%	1	R906
113-683005-17	CARBON FILM RESISTOR 68K OHM 1/16W +-5%	1	R117
113-684005-17	CARBON FILM RESISTOR 680K OHM 1/16W +-5%	1	R409
113-688405-42	FUSEBLE RESISTOR 0.68 2W +-5%	2	R914,937
113-750005-17	CARBON FILM RESISTOR 75 OHM 1/16W +-5%	10	R167-169,24,27,36,37,172,30,33
113-752005-17	CARBON FILM RESISTOR 7.5K OHM 1/16W +-5%	1	R182
113-821005-17	CARBON FILM RESISTOR 820 OHM 1/16W +-5%	1	R195
113-822005-17	CARBON FILM RESISTOR 8.2K OHM 1/16W +-5%	2	R125,126
113-822105-17	CARBON FILM RESISTOR 8.2K OHM 1/4W +-5%	1	R903
113-823005-17	CARBON FILM RESISTOR 82K OHM 1/16W +-5%	1	R120
113-824005-17	CARBON FILM RESISTOR 820K OHM 1/16W +-5%	1	R118
113-829105-17	CARBON FILM RESISTOR 8.2 OHM 1/4W +-5%	2	R259,260
123-101350-60	CERAMIC CAP. 100 PF 50V +-10% (SL TYPE) "SMART GOOD"	4	C102,196-198
123-102350-90	CERAMIC CAP. 0.001 MFD 50V +-10% (B TYPE)	6	C101,117,120,125,149,417
123-102850-10	CERAMIC CAP. 0.001 MFD 2KV +-10% MATSUSHITA	1	C504
123-103370-90	CERAMIC CAP. 0.01 MFD 50V +80 -20%	13	C126,188,189,405,06,18,19,27,28,29,30,31,32
123-104270-90	CERAMIC CAP. 0.1 MFD 25V +80 -20%	8	C139,141,151-153,202,205,225
123-104270-90	CERAMIC CAP. 0.1 MFD 25V +80 -20%	5	C232,432,145,236,146



PART NUMBER DESCRIPTION QTY LOCATION

123-122550-95	CERAMIC CAP. 1200PF 500V +-10% "YINAN DON'S"	1	C418
123-150340-93	CERAMIC CAP. 15 PF 50V +-5% (NPO)	3	C160,161,138
123-151350-60	CERAMIC CAP 150 PF 50V +-10% (SL TYPE)	1	C204
123-152850-10	CERAMIC CAP. 0.0015 MFD 2KV +-10% MATSUSHITA	2	C414,434
123-180340-93	CERAMIC CAP. 18 PF 50V +-5% (NPO)	1	C137
123-220340-60	CERAMIC CAP. 22 PF 50V +-5% (SL TYPE)	2	C203,206
123-222350-90	CERAMIC CAP. 0.0022 MFD 50V +-10% (B TYPE)	5	C119,124,133,144,168
123-222850-10	CERAMIC CAP. 0.0022 MFD 2KV +-10% MATSUSHITA	1	C912
123-223370-90	CERAMIC CAP. 0.022 MFD 50V +80 -20%	8	C121,147,159,163,221,229,02,974
123-270340-60	CERAMIC CAP. 27 PF 50V +-5% (SL-TYPE)	4	C171-173,226
123-270340-93	CERAMIC CAP. 27PF 50V +-5% (NPO)	2	C164,165
123-271350-60	CERAMIC CAP. 270 PF 50V +-10% (SL TYPE)	1	C123
123-272850-10	CERAMIC CAP. 0.0027 2KV	2	C503,914
123-360340-93	CERAMIC CAP. 36 PF 50V +-5% (NPO)	2	C406,407
123-470340-93	CERAMIC CAP. 47 PF 50V +-5% (NPO)	1	C170
123-471350-60	CERAMIC CAP. 470 PF 50V +-10% (SL TYPE)	6	C185,186,191,192,(C901,902 ON 21 PIN PCB)
123-471850-10	CERAMIC CAP. 470 PF 2KV +-10% MATSUSHITA	1	C426
123-472550-90	CERAMIC CAP. 0.0047 MFD 500V +-10% (B TYPE)	1	C501
123-472552-90	CERAMIC CAP. 0.0047 MFD 500V +-10% (B TYPE) SMALL SIZE	5	C904,903,906,928,929
123-472552-95	CERAMIC CAP. 0.0047 MFD 500V +-10% (B TYPE) "YINAN DON'S"	2	C424-425
123-820340-60	CERAMIC CAP. 82 PF 50V +-5% (SL TYPE)	1	C154
123-821850-10	CERAMIC CAP. 820 PF 2KV +-10% (SL TYPE) MATSUSHITA	1	C913
126-103071-01	MYLAR CAP. 0.01 MFD 50V +-10% ***AUDIO NOT USER***	3	C210,211,412
126-103230-45	METALIZED POLY.CAP. 0.01 MFD 2KV +-10% "XIAMEN FALA"	1	C415
126-104060-21	METALIZED POLYESTER FILM CAP. 0.1 MFD 63V +-5%	11	C135,217,402,411,429,911,112,208,209,201,451
126-104101-35	POLYPROPYLENE CAP. 0.1 MFD 100V +-10% "XIAMEN FALA"	1	C122
126-153071-01	MYLAR CAP. 0.015 MFD 50V +-10% ***AUDIO NOT USER***	1	C973
126-153630-32	POLYPROPYLENE CAP. 0.015 MFD 630V +-5% "TAIWAN TAIYANG"	1	C409
126-154071-01	MYLAR CAP. 0.15 MFD 50V +-10% ***AUDIO NOT USER***	1	C131
126-223071-01	MYLAR CAP. 0.022 MFD 50V +-10%	3	C214,215,413
126-223401-35	POLYPROPYLENE CAP. 0.022 MFD 400V +-10% "XIAMEN FALA"	1	C416
126-332071-01	MYLAR CAP. 0.0033 MFD 50V +-10 % ***AUDIO NOT USER***	2	C115,136
126-333071-01	MYLAR CAP. 0.033 MFD 50V +-10% ***AUDIO NOT USER***	2	C907,155
126-334071-01	MYLAR CAP. 0.33 MFD 50V +-10% ***AUDIO NOT USER***	2	W130,131

PART NUMBER	DESCRIPTION	QTY	LOCATION
126-364211-31	POLYPROPYLENE CAP. 0.36 MFD 250V +-10%	1	C408
126-472071-01	MYLAR CAP. 0.0047 MFD 50V +-10% ***AUDIO NOT USER***	2	C128,130
126-473071-01	MYLAR CAP. 0.047 MFD 50V +-10% ***AUDIO NOT USER***	1	C148
126-473201-35	POLYPROPYLENE CAP. 0.047 MFD 200V +-10% "XIAMEN FALA"	1	C419
126-474060-25	METALIZED POLYESTER FILM CAP. 0.47 MFD 63V +-5% XIAMEN FALA	23	C104-106,182,195,207,187,04,05,07-17,20,23,21
127-105072-06	ELECT CAP. 1 MFD 50V +-20% {TAPING TYPE}	11	C107-109,129,157,200,506,166,227,421,C234
127-105132-07	ELECT CAP. 1 MFD 160V +-20% "NICHICON"	1	C976
127-106042-06	ELECT CAP. 10 MFD 16V +-20% {TAPING TYPE}	7	C140,142,156,158,162,169,233
127-106072-03	ELECT. CAP. 10 MFD 50V +-20%	2	C116,509
127-106104-03	ELECT CAP. 10 MFD 100V +-20% 105øC	1	C908
127-106252-08	ELECT CAP. 10 MFD 250V +-20% "JAMICON"	1	C502
127-106402-0H	ELECT CAP. 10 MFD 400V +-20% "SHENZHEN JINGUANG"	1	C971
127-107042-03	ELECT. CAP. 100 MFD 16V +-20%	8	C111,118,132,134,190,193,194,431
127-107062-08	ELECT CAP. 100 MFD 35V +-20% "JAMICON"	1	C213
127-107132-07	ELECT. CAP. 100 MFD 160V +-20% "NICHICON"	2	C420,926
127-108052-03	ELECT. CAP. 1000 MFD 25V +-20%	2	C430,927
127-225072-06	ELECT CAP. 2.2 MFD 50V +-20% {TAPING TYPE}	5	C114,143,212,223,224
127-226042-06	ELECT CAP. 22 MFD 16V +-20% {TAPING TYPE}	1	C127
127-226252-08	ELECT CAP. 22 MFD 250V +-20% "JAMICON"	1	C433
127-227042-03	ELECT. CAP. 220 MFD 16V +-20%	6	C222,231,422,423,435,01
127-227052-06	ELECT CAP. 220 MFD 25V +-20% {TAPING TYPE}	1	C975
127-227062-08	ELECT CAP. 220 MFD 35V +-20% "JAMICON"	3	C403,427,507
127-227422-07	ELECT CAP. 220 MFD 420V +-20% "NICHICON"	1	C905
127-228052-03	ELECT. CAP. 2200 MFD 25V +-20%	1	C216
127-228052-08	ELECT CAP. 2200 MFD 25V +-20% "JAMICON"	1	C930
127-337072-03	ELECT. CAP. 330 MFD 50V +-20%	1	C508
127-475072-06	ELECT CAP. 4.7 MFD 50V +-20% {TAPING TYPE}	2	C404,428
127-475101-2E	ELECT CAP. 4.7 MFD 100V +-10% LOW WASTAGE (BIPOLAR)"TONGYANG	1	C410
127-475132-03	ELECT CAP 4.7 MFD 160V +-20%	1	C972
127-476042-03	ELECT. CAP. 47 MFD 16V +-20%	3	C110,220,228
127-476094-03	ELECT CAP. 47 MFD 63V +-20% 105øC	1	C910
127-477052-03	ELECT. CAP. 470 MFD 25V +-20%	2	C218,219
130-134004-00	RECTIFIER DIODE IN4004	4	D971,972,973,974
130-134148-01	SILICON DIODE IN4148	18	D101-104,106-111,114-116,195,507-510
130-240809-50	VERIABLE CAPACITANCE DIODE BB809	2	D112-113
130-310021-00	RECTIFIER DIODE EGIZ SANKEN	3	D970,975,976
130-310021-50	RECTIFIER DIODE BAV21 PHILIPS {TAPING}	4	D501,502,503,414
130-310228-50	DAMPER DIODE BY228 "PHILIPS" {TAPING}	1	D402
130-310345-00	RECTIFIER DIODE 3JH45 TOSHIBA 3.0A 600V	2	D401,906
130-310406-00	BRIDGE RECTIFIER RBV-406 SANKEN	1	BR901

PART NUMBER DESCRIPTION QTY LOCATION

130-314004-00	RECTIFIER DIODEN 1N4004	1	D512
130-315295-00	RECTIFIER DIODE S5295G TOSHIBA	10	D403-407,901,902,905,909,910
130-410036-00	ZENER DIODE 3.6V 1/2W	1	ZD103
130-410039-01	ZENER DIODE 3.9V {TAPING}	1	ZD901
130-410056-01	ZENER DIODE 5.6V {TAPING}	1	ZD902
130-410068-01	ZENER DIODE 6.8V 1/2W +-5% {TAPING}	1	ZD503
130-410082-01	ZENER DIODE 8.2V {TAPING}	2	ZD102,903
130-410120-01	ZENER DIODE 12V 1/2W +-5% {TAPING} "TEMIC"	1	ZD504
130-410574-00	ZENER DIODE UPC 574J NEC	1	ZD401
130-420091-U0	ZENER DIODE 9.1V 1W +-5% "RUGAO DACHANG"	3	ZD403,904,01
130-610605-00	LED 5MM ROUND (RED/GREEN) BT605 "FOSHAN"	1	(LED601 ON SENSOR PCB)
131-210719-29	TRANSISTOR 2SA719R/S MATSUSHITA	1	Q971
131-211015-00	TRANSISTOR 2SA1015 TOSHIBA	9	Q102-105,110,111,113,502,504
131-220774-20	TRANSISTOR 2SB774/Q/R/S {TAPING} MATSUSHITA	1	Q911
131-220940-16	TRANSISTOR 2SB940P	1	Q401
131-231815-0A	TRANSISTOR 2SC1815 TOSHIBA {TAPING}	9	Q108,109,910,912,117,119,402,503,106
131-232335-30	TRANSISTOR 2SC2335 L/K NEC	1	Q970
131-233619-00	TRANSISTOR 2SC3619	1	Q404
131-234706-00	TRANSISTOR 2SC4706 SHIN HO	1	Q909
131-241761-00	TRANSISTOR 2SD1761(E) ROHM	2	Q913,405
131-242500-00	TRANSISTOR 2SD2500 TOSHIBA	1	Q403
131-462369-0A	TRANSISTOR PH2369 PHILIPS {TAPING}	1	Q101
133-101219-14	I.C. TA1219AN I2C AV SELECTOR "TOSHIBA"	1	IC01
133-101501-33	I.C. TEA1501 PHILIPS	1	IC970
133-103857-33	IC TDA3857 PHILIPS	1	IC109
133-108354-33	I.C. TDA8354Q/N1 PHILIPS	1	IC401
133-108598-33	I.C. PCF8598C-2 PHILIPS	1	IC103
133-109870-33	I.C. TDA9870A DIGITAL TV SOUND PROCESSOR (DTVSP) W/O NICAM	1	IC107
133-116107-33	I.C. TDA6107Q/N2 (IMPROVEMENT) PHILIPS	1	IC501
133-133722-12	I.C. M37221M8-144SP (MASKED CHIP) "MITSUBISHI"	1	IC102
133-202615-33	IC TDA2615 (PHILIPS)	1	IC108
133-304241-31	I.C. M74HCT241B1 SGS	1	IC104
133-507808-61	I.C. KA7808 SAMSUNG	1	IC402
133-517805-61	I.C. KA7805 SAMSUNG	2	IC403,404
136-500038-00	REMOTE CONTROL RECEIVER HS0038A2 "TEMIC"	1	(OPT602 ON SENSOR PCB)
137-245760-31	CRYSTAL 24.576 MHZ 20PF "ZHUHAI HOPE"	1	X105
137-357954-20	CRYSTAL 3.579545 MHZ "KOWHA"	1	X102
137-443619-26	CRYSTAL 4.433619 MHZ 20PF +-30PPM "JIANG CHANG"	1	X101
137-800000-20	CRYSTAL 8.0 MHZ KITRONICS	1	X103
146-104002-00	TACT SWITCH 4 PINS L=11 MM KFC-A06-L11 "SHENZHEN CONIC"	7	S104-107,608-610 ON CHANNEL PCB
160-101001-08	PIN CONNECTOR 1 PIN PLUG STRAIGHT	3	CN501,901,902
160-102254-27	WAFER 2 PINS S11-2W-R (ANGLE TYPE) S.H.S	1	CN02
160-102255-27	PIN CONNECTOR 2 PINS PLUG STRAIGHT (UL) (S.H.S)	3	CN107,108,111



PART NUMBER DESCRIPTION QTY LOCATION

172-726000-99	BARE WIRE 54MM	0	(W901,906,907,909 ON POWER PCB)
172-830120-99	FLAT BRIDED WIRE	2.7	FOR CRT GROUND
179-001010-00	OIL SLEEVING 1 mm DIA.	0.1	20MM FOR D906,10MM-C907,40MM-R970,R971,30MM-R427
179-105000-00	UL PVC TUBE 5mm DIA	0.2	FOR CN901,902
179-105000-00	UL PVC TUBE 5mm DIA	1.2	500MM FOR LEFT SPK.,700MM FOR RIGHT SPK.
179-107300-00	UL PVC TUBE 7.3MM DIA.	0.22	220MM FOR DOUBLE INSOLATION WIRE
179-110500-00	UL PVC TUBE 11MM DIA.	0.45	50MM FOR AC LINE CORD,400MM FOR CN403 WIRE
179-403030-00	3MM DIA. SHRINKABLE TUBE	0.07	70MM FOR AC LINE CORD
179-403030-00	3MM DIA. SHRINKABLE TUBE	0.08	80MM FOR SPEAKER TO SPEAKER GRILLE
184-350805-08	AXIAL LEAD BEAD INDUCTORS "COILS"	5	FB101,102,401,402,901
190-202503-10	SENSOR P.C.B. (0812000)	1	
190-202901-P6	CHANNEL PCB (1111200)	1	
190-382904-P0	CRT PCB (27042000)	1	
190-729A03-P8	AV P.C.B (15052000) MTISUBISHI CPU+PHILIPHS IyC	1	
190-829B03-08	21 PIN SOCKET P.C.B.(230600)	1	
190-88200A-XE	POWER SWITCH P.C.B. (270300)	1	
190-932908-07	POWER P.C.B. (28122000)	1	
190-932912-P1	MAIN P.C.B. (09022001)	1	
191-101007-10	1 PIN SOCKET ASS'Y L=350MM (DOUBLE INSOLATION) BLACK	1	FOR CN501 TO CRT GND
191-201234-10	2 PIN SOFT WIRE L=350MM(1 SIDE SOCKET,1 SIDE PLUG) FLAT CABLE	1	CN111 TO POWER BOARD PIN `1' TO `8',`2' TO `7'
191-201240-10	2 PIN L=340MM #26 UL1185 (W/SINGLE SHIELD WIRE)	1	CN108 TO CN02
191-301036-07	3 PIN SOCKET ASS'Y L=480MM	1	CN403 TO POWER BOARD PIN `1' TO `4',`2' TO `5'
191-301036-07	3 PIN SOCKET ASS'Y L=480MM	0	`3' TO `6'
191-301067-10	3 PIN L=350MM #22 UL1672 (2 WIRE) STV8-3H	1	CN402 TO POWER BOARD PIN `2' TO `1',`3' TO `2'
191-301271-10	3 PIN FLAT CABLE L=500MM AWG26 UL2468 (SOFT WIRE 1 SIDE PLUG)	2	CN103 TO J905,CN105 TO CN04
191-301272-10	3 PIN FLAT CABLE L=340MM AWG26 UL2468 (SOFT WIRE 1 SIDE PLUG)	1	CN110 TO CN06
191-401025-10	4 PIN SOCKET ASS'Y L=450MM (FLAT CABLE) UL2468 #26	1	CN404 TO CRT BOARD PIN `1' TO `FF',`2' TO `GND',
191-401025-10	4 PIN SOCKET ASS'Y L=450MM (FLAT CABLE) UL2468 #26	0	`3' TO `GND',`4' TO `180V'
191-401041-10	4 PIN FLAT CABLE L=250MM	1	CN113 TO CHANNEL BOARD `1' TO `D',`2' TO `C',
191-401041-10	4 PIN FLAT CABLE L=250MM	0	`3' TO `B',`4' TO `A'

PART NUMBER DESCRIPTION QTY LOCATION

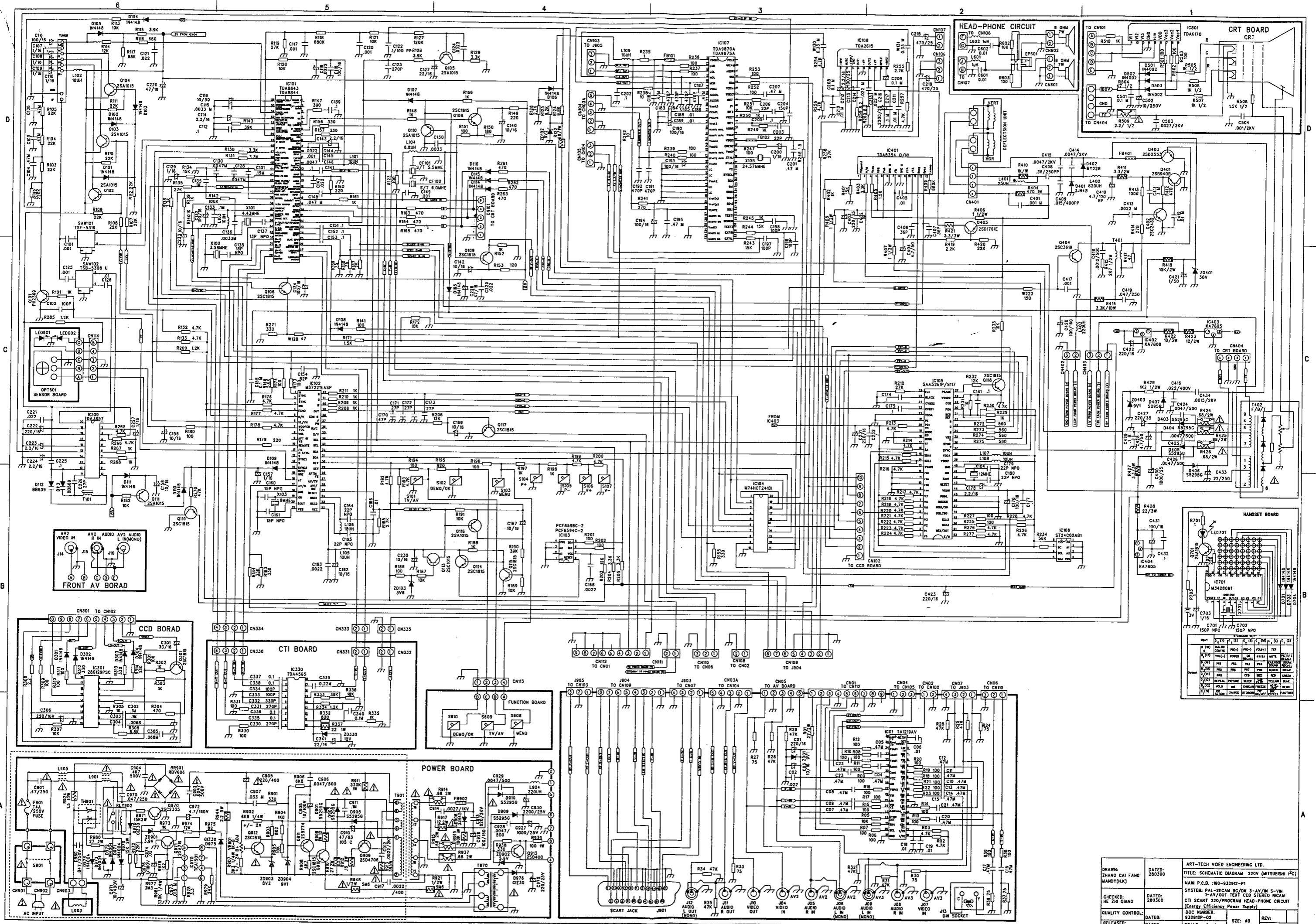
191-401041-10	4 PIN FLAT CABLE L=250MM	1	CN115 TO CHANNEL BOARD `1' TO `E',`2' TO `F',
191-401041-10	4 PIN FLAT CABLE L=250MM	0	`3' TO `G',`4' TO `H'
191-401232-10	4 PIN L=220MM AWG26 UL1185 W/ TRIPLE SHIELD WIRE,1 SIDE PLUG	1	CN07 TO J903
191-501026-10	5 PIN SOCKET ASS'Y L=480MM (FLAT CABLE)	1	CN03A TO CN104
191-501040-10	5 PIN FLAT CABLE L=250MM AWG26 UL2468 (SOFT WIRE)	1	CN114 TO SENSOR BOARD PIN `1' TO `1',`2' TO `2',
191-501040-10	5 PIN FLAT CABLE L=250MM AWG26 UL2468 (SOFT WIRE)	0	`3' TO `3',`4' TO `4',`5' TO `5'
191-501229-10	5 P FLAT CABLE #26 UL2468 MALE 400MM,FEMALE 360MM 2 SIDE PLUG	1	CN05 TO SIDE AV BOARD PIN `1' TO `A',`2' TO `B',
191-501229-10	5 P FLAT CABLE #26 UL2468 MALE 400MM,FEMALE 360MM 2 SIDE PLUG	0	`3' TO `C',`4' TO `D',`5' TO `E'
191-601009-10	6 PIN SOCKET ASS'Y L=450MM (W/FLAT CABLE)	1	CN101 PIN `1' TO `A',`2' TO `H',`3' TO `C',`4' TO `D',
191-601009-10	6 PIN SOCKET ASS'Y L=450MM (W/FLAT CABLE)	0	`5' TO `E',`6' TO `F'
191-801225-10	8 PIN L=400MM #26 UL2468 (P1-4 ,6,7 FLAT CABLE,P5,8 S.S.WIRE)	1	CN109 TO J904
191-901214-10	9 PIN 340MM #26 UL2468 P1-3 FL AT CABLE,P4-5,6-7,8-9 S.S.WIRE	1	CN112 TO CN01
402-522001-11	COAXIAL CABLE W/DIN, RCA 250MM W/3 SOLDERING POINT "MIKI"	1	FOR TUNER TO RF CONNECTOR
504-305006-10	MACHINE SCREW 3 X 6 B/M (WHITE)	2	2-PW.SW.TO 723-2025C1-00 MTG.
514-400312-10	SELF-TAPPING SCREW 4 X 12 B/A (HARDEN)	1	FOR HEAT SINK TO FBT
515-303408-10	SELF-TAPPING SCREW 3 X 8 W/B/T (HARDEN)	6	2-IC401,1-IC402,1-IC403,1-Q403,1-Q401
515-303408-10	SELF-TAPPING SCREW 3 X 8 W/B/T (HARDEN)	2	2 FOR 161-682102-22
515-303410-10	SELF-TAPPING SCREW 3 X 10 W/B/T (HARDEN)	27	14 FOR MAIN PCB,9 FOR POWER PCB,4-AV IN/OUT PCB
517-303312-10	SELF-TAPPING SCREW 3 X 12 W/A W/H=7MM (HARDEN)	2	1 FOR Q909,1 FOR BR901
518-300308-20	SELF - TAPPING SCREW 3X8 B/T COARSE GROVE & HARDEN (BASS)	3	1-IC501,1-IC108,1-IC404
540-020030-01	EYELET 2 X 3 MM	24	4-L901,4-L905,3-T402,2-L401,2-R416,2-C408,
540-020030-01	EYELET 2 X 3 MM	0	1-Q403 `C',2-L402,4-R970,R971
580-101004-04	TWIST LOCK SUPPORTS "KANGLI"	1	FOR CN403
580-101261-01	CABLE TIE L=100MM	4	2-PW.SW.PCB,1-SPK.CN106,107,1-CN403
580-101261-01	CABLE TIE L=100MM	3	
580-101261-01	CABLE TIE L=100MM	1	FOR CRT FLAT BRIDED WIRE
661-932501-01	FUSE LABEL - ATAKI DESIGN (T4A/250V)	1	
723-2025C1-00	POWER SWITCH BRACKET FOR POWER	1	FOR POWER SWITCH MTG.
746-063101-01	AC LINE CORD PIN	4	FOR POWER SWITCH PCB

PART NUMBER DESCRIPTION QTY LOCATION

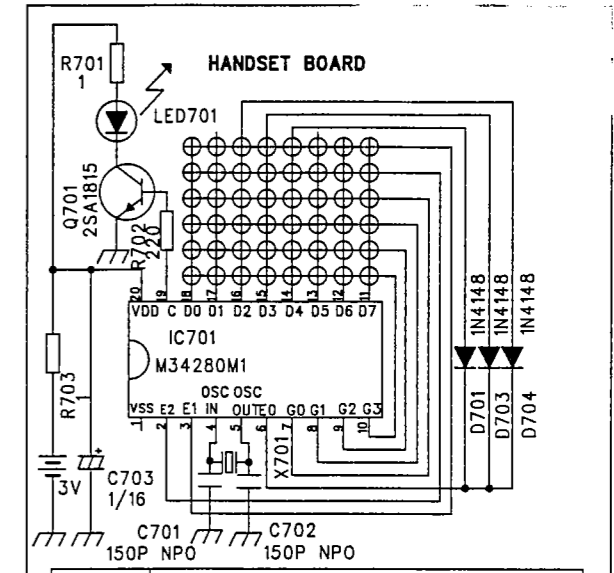
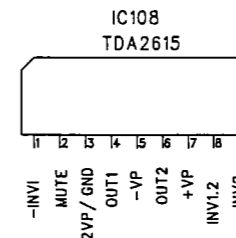
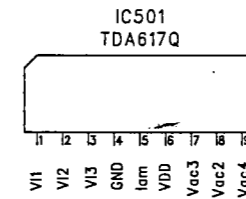
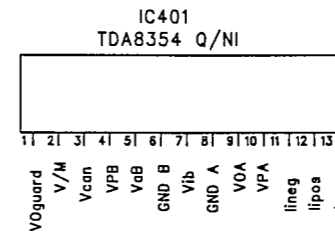
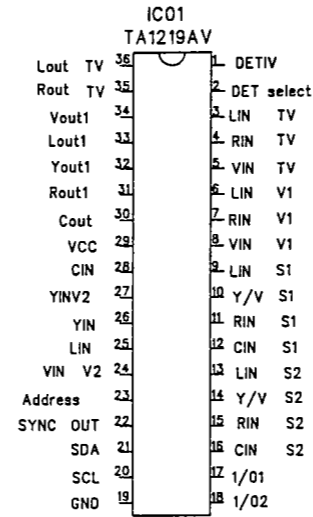
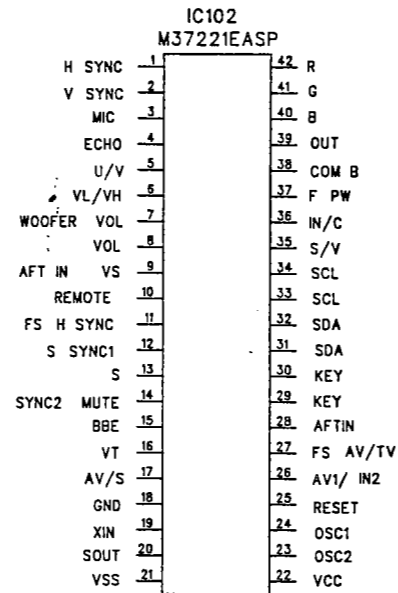
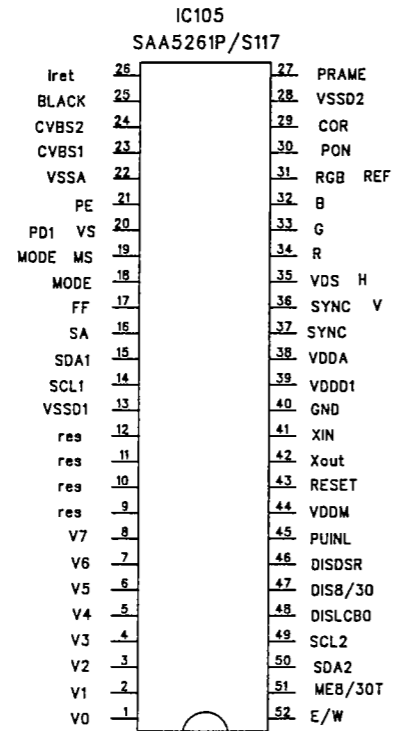
750-063101-00	SOLDERING LUG LEG:8X4MM	2	FOR Q403,Q909
750-063102-01	35MM SOLDERING LUG OD:7 ID:3.2 LEG:4X35MM	4	FOR AC LINE CORD
766-686801-00	FUSE HOLDER	2	F901
779-882001-01	IRON HEAT SINK (D)	1	FOR IC404
779-882803-02	IRON HEAT SINK	1	IC108
779-882803-03	IRON HEAT SINK {NEW}	1	IC501
781-932803-06	ALUMINIUM HEAT SINK - (MODIFY BY 781-932803-03)	1	FOR IC401,402,403,Q403,Q401
781-932912-00	POWER PCB HEAT SINK (O)	1	FOR Q909,BR901
783-931304-02	SHIELD CAN	1	
783-931305-06	SHIELD CAN COVER "NEW"	1	
889-729A10-U0	AV PCB PVC COVER(UL)	1	FOR AV IN/OUT PCB (190-729A03-P8)
896-882101-00	POWER BOARD COVER (UL)	1	FOR PW.SW.PCB
920-2025C1-U0	MAIN PCB BRACKET (UL)	1	
929-282903-00	LED BRACKET	1	
929-821C01-00	REMOTE BRACKET	1	
939-921C01-00	POWER KNOB ADAPTER	1	
954-882804-00	HIGH VOLTAGE CABLE SPACER	3	FOR FBT
001-229084-13	FLYBACK TRANSFORMER BSC29-1084 "WUXI TOYO"	1	# T402
101-288270-95	LINE FILTER LB28T270	2	# L901,905
101-288280-95	LINE FILTER 50MH FOR 28"	0	# L901,905
113-565210-99	CARBON COMPOSITION RES. 5.6M OHM 1/2W +-10% INNER MONGOLIA	2	# R948,921
113-688305-42	FUSING RESISTOR 0.68 OHM 1W +-5%	2	# R421,915
113-688305-49	FUSING RESISTOR 0.68 OHM 1W +-5% "KOA"	0	# R421,915
114-210262-00	THERMISTOR PTH451C262B	0	# TH901
114-210270-02	THERMISTOR 18 OHM 270V #2322 662 96524 "PHILIPS"	0	# TH901
114-210270-12	THERMISTOR 18 OHM 276V #2322 662 96724 "PHILIPS"	1	# TH901
114-210290-00	THERMISTOR 18 OHM +-20% #PTH451C234BG180M290A "MURATA"	0	# TH901
123-222466-47	CERAMIC CAP. 0.0022 MFD 400VAC +-20% W/IEC384-14 APP. "TDK"	0	# C917
123-222466-50	CERAMIC CAP. 0.0022 MFD 400VAC +-20% ECKDNA222ME "MATSUSHITA"	1	# C917
123-222466-51	CERAMIC CAP. 0.0022 MFD 400V +-20% W/IEC 384-14 APP. MURATA	0	# C917
126-473222-41	METALIZED POLYPROPYLENE CAP. 0.047 MFD 275V +-20% "OKAYA"	2	# C970,980
126-473222-45	METALIZED POLY.CAP. 0.047 MFD 275VAC +-20% "XIAMEN FALA"	0	# C970,980
126-474222-45	METALIZED POLY.CAP. 0.47 MFD 275VAC +-20% "XIAMEN FALA"	1	# C901
126-474222-45	METALIZED POLY.CAP. 0.47 MFD 275VAC +-20% "XIAMEN FALA"	0	# C901
146-100001-14	POWER SWITCH (ESB-99957S COST COST REDUCTION) "MATSUSHITA"	0	#
146-100006-14	POWER SWITCH PS5E-B "CHINA LANDMARK"	1	#
161-540004-01	CRT SOCKET ISH-01 IN CHANG (NECK i29MM)	1	# SK501
182-224000-03	FUSE T4A 250V	1	# F901
182-224000-23	FUSE T4A/250V 5 X 20 MM TIME- LAG #50T040H UNITRONIC(TRIAD)	0	# F901



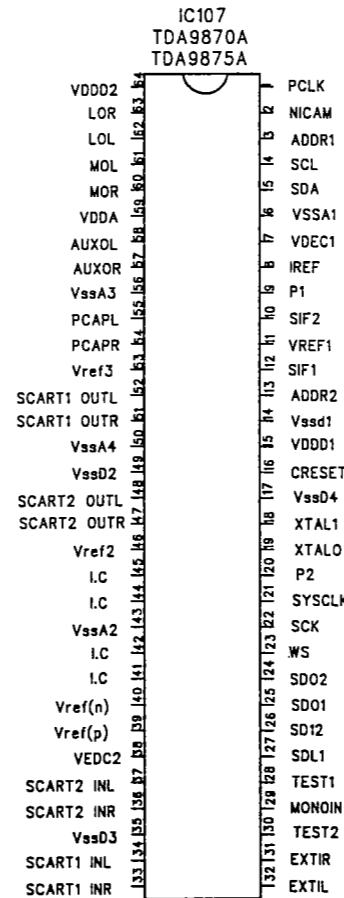
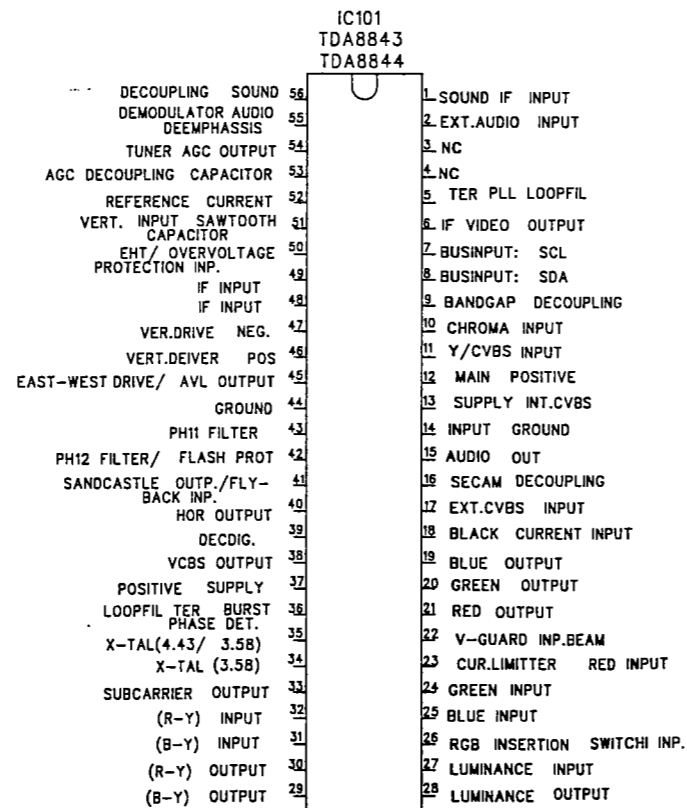
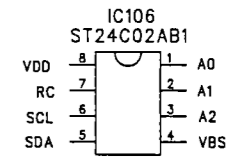
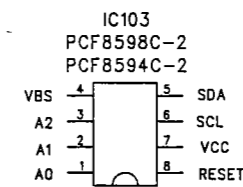




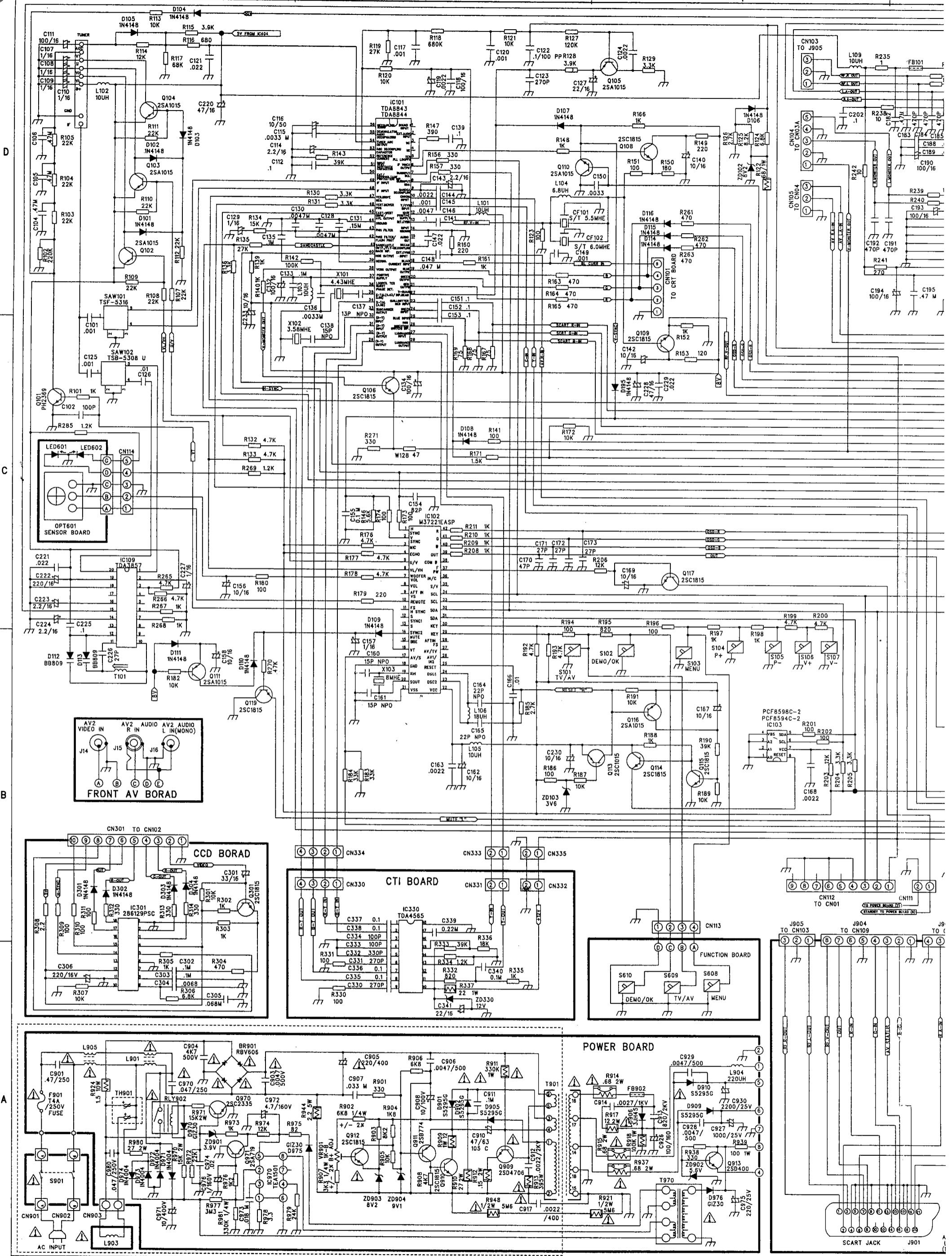
DRAWN: ZHANG CAI FANG MANDY(HX)	DATED: 280300	ART-TECH VIDEO ENGINEERING LTD.
CHECKED: HE ZHI QIANG	DATED: 280300	TITLE: SCHEMATIC DIAGRAM 220V (MITSUBISHI VCR)
QUALITY CONTROL: RELEASED:	DATED: RELEASED:	MAIN P.C.B.: 160-93292-P1 SYSTEM: PAL-SECAM BG/DK 3-AV/M 5-VIN SPEAKER: 3-AV/OUT TEXT CCD STEREO MICAM CTI SCART 220/PROGRAM HEAD-PHONE CIRCUIT (Energy Efficiency Power Supply)
		DOC NUMBER: #3292P-02
		SCALE: 1 : 1
		REV: SHEET: 1 OF 1



Input	STANDARD KEY					
	D <sub>0</sub> (7)	G <sub>1</sub> (8)	G <sub>2</sub> (9)	G <sub>3</sub> (10)	E <sub>1</sub> (3)	E <sub>2</sub> (2)
D <sub>0</sub> (18)	DIALOG CENTRE	PR(+)	PR(-)	VOL(+)	TXT	
D <sub>1</sub> (17)	VOL(-)	POWER	OK RECALL	AV(0)	MUTE	PICTURE RECALL
D <sub>2</sub> (16)	PR1	PR2	PR3	PR4	KARAOKE SOUND	SOUND RECALL
D <sub>3</sub> (15)	PR5	PR6	PR7	PR8	CLOCK	NICAM
D <sub>4</sub> (14)	PR9		CCD	SIZE	RED	GREEN
D <sub>5</sub> (13)	REVEAL PICTURE	SLEEP	SUB PAGE	YELLOW	BLUE	
D <sub>6</sub> (12)	HOLD	MIX	CHSCAN	FREEZE	HOTEL LOCK	DEMO
D <sub>7</sub> (11)	PIP ACTION	CHANGE	STOROB0	PIP ON/OFF	BBE EFFECT	FACTORY



DRAWN: ZHANG CAI FANG MANDY(H.K)	DATED: 181299	ART-TECH VIDEO ENGINEERING LTD.	
CHECKED: HE ZHI QIANG	QUALITY CONTROL:	TITLE: SCHEMATIC DIAGRAM MAIN P.C.B.: 190-932912-P1 P/N:692-3829MB-01 SYSTEM: IC CIRCUIT	REV:
RELEASED:	DATED:	DOC NUMBER: 932912P-01	SCALE: 1 : 1
SIZE: A0	SHEET: 1 OF 1	REV:	SHEET: 1 OF 1

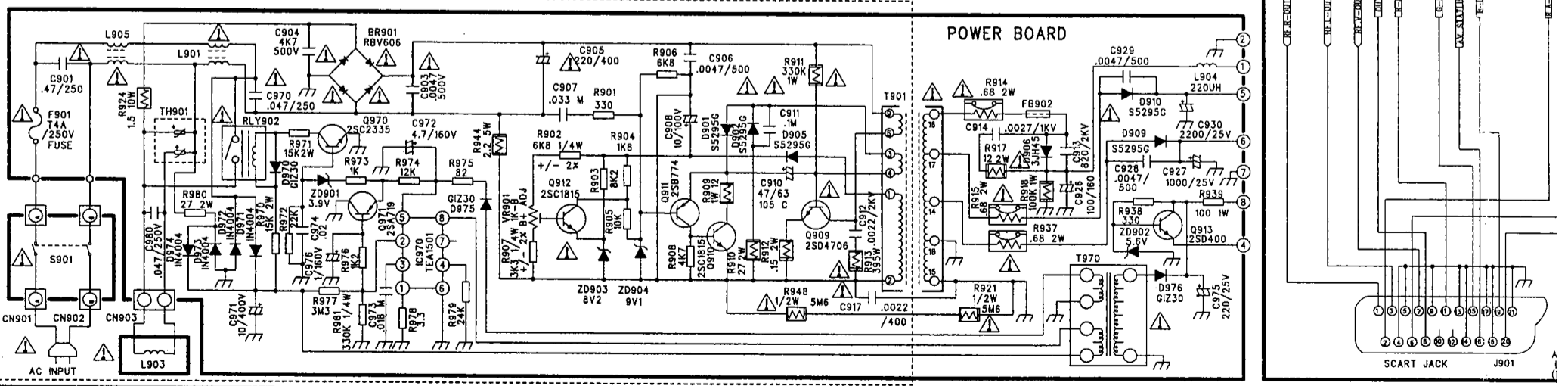
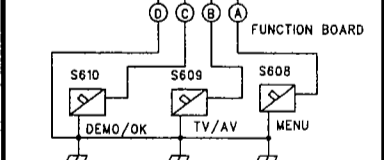
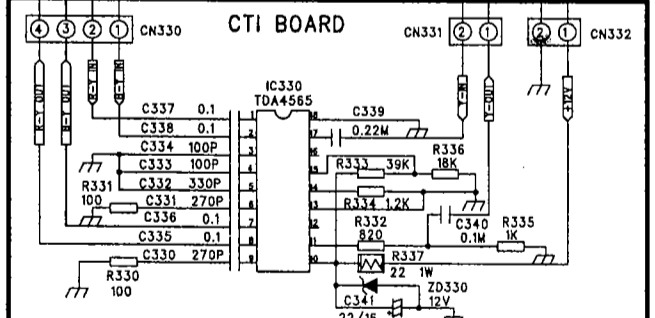
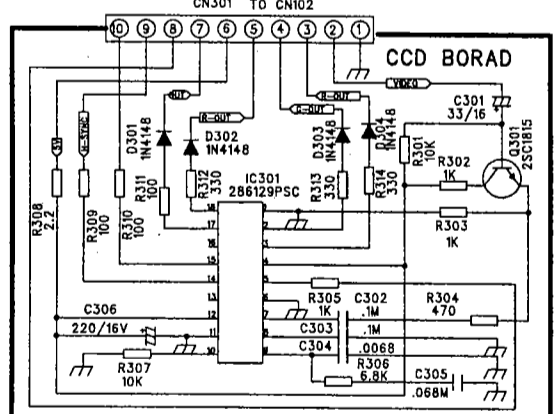
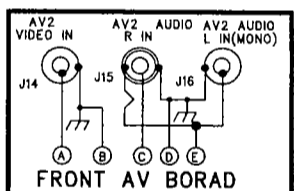
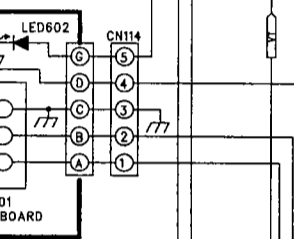


D

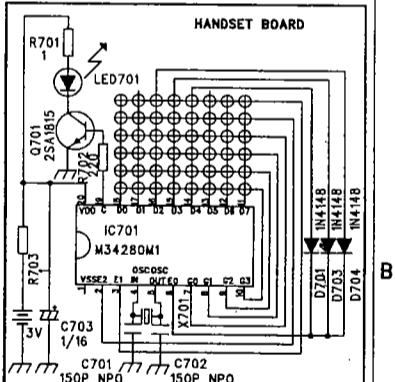
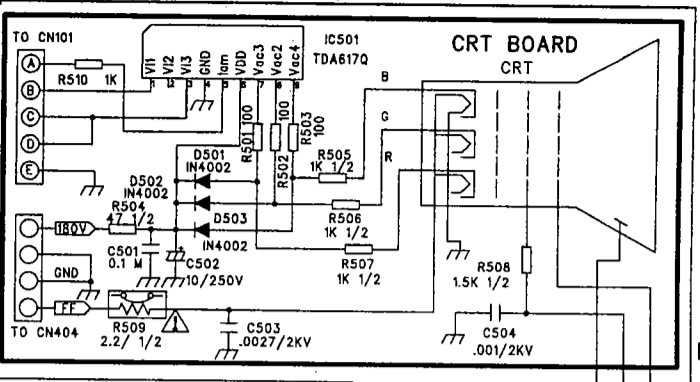
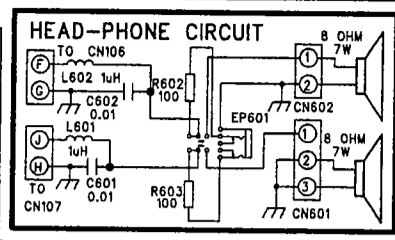
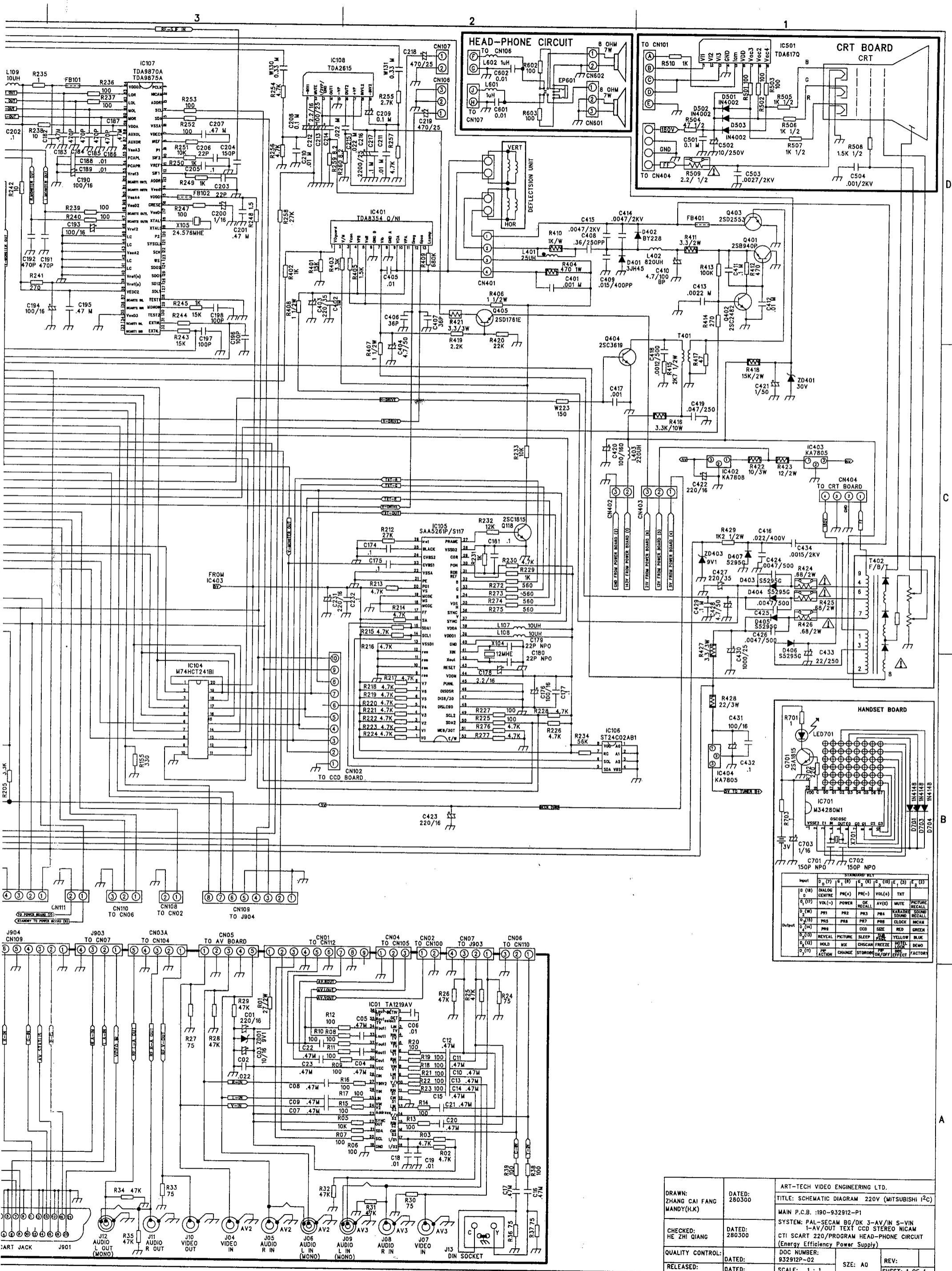
C

B

A



SCART JACK J901



Input	D (7)	E (8)	F (9)	G (10)	H (11)	I (12)
D (18)	DIALOG	PR(+)	PR(-)	VOL(+)	TXT	
D (19)	CENTRE	POWER	SK	AV(-)	MUTE	PICTURE
D (20)	VOL(-)	RECALL	RECALL	SOUND	RECALL	
D (21)	PR1	PR2	PR3	PR4	KARAOKE	SOUND
D (22)	PR5	PR6	PR7	PR8	CLOCK	GREEN
D (23)	REVEAL	PICTURE	SLEEP	PAUSE	YELLOW	BLUE
D (24)	HOLD	CHK	CHSCAN	FREEZE	LOCK	DEMO
D (25)	PF	ACTION	CHANGE	STORAGE	OFF	EFFECT
D (26)						

DRAWN: ZHANG CAI FANG  
 DATED: 280300  
 MANDY(H.K.)  
 ART-TECH VIDEO ENGINEERING LTD.  
 TITLE: SCHEMATIC DIAGRAM 220V (MITSUBISHI IC20)  
 MAIN P.C.B.: 190-932912-P1  
 SYSTEM: PAL-SECAM BC/DK J-AV/IN S-VIN  
 1-AV/OUT TEXT CCD STEREO NICAM  
 CTI SCART 220/PROGRAM HEAD-PHONE CIRCUIT  
 (Energy Efficiency Power Supply)  
 CHECKED: HE ZHI QIANG  
 DATED: 280300  
 QUALITY CONTROL:  
 RELEASED: DATED: 280300  
 DOC NUMBER: 932912P-02  
 SCALE: 1:1  
 REV: 1  
 SHEET: 1 OF 1

97-160/01 97-320/01  
 47 100 101